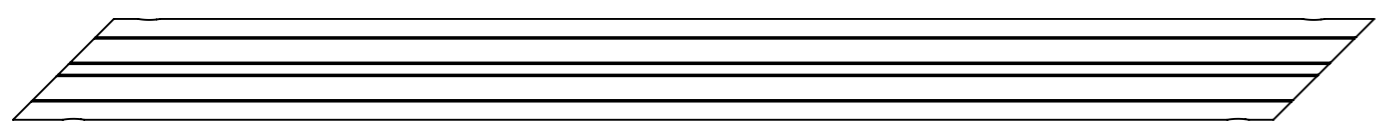
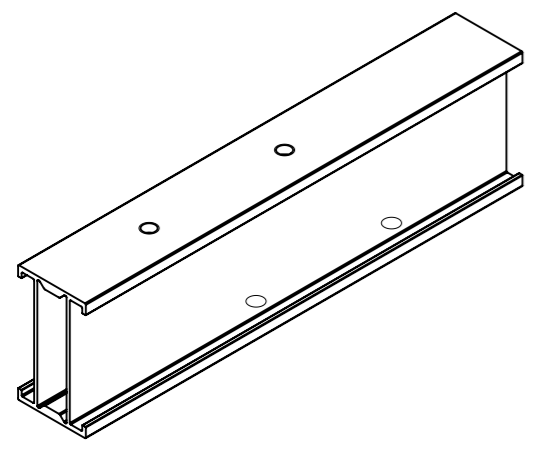


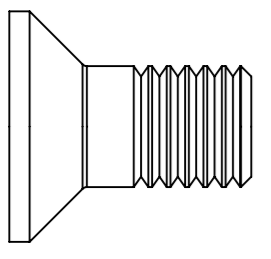
P
4 x



Q
4 x



K
8 x



O
10 x

