



## Setup and Operations Manual





# Safety

## OPERATION

Before operating game, read this manual. Failure to properly install and operate this game could result in malfunction or accident. Operate the game in accordance with the manual.

## TRANSPORTING

The cabinet is very heavy. Because the monitor is high, the cabinet is also very top-heavy. Use appropriate care when moving or transporting cabinet. It contains fragile glass and electronic components. Avoid rough handling.

## HANDLING COMPONENTS

Many components are extremely sensitive to handling, environmental and Electrostatic Discharge (ESD) events—especially the computer. Do not handle it roughly. Before servicing, call your distributor and inquire about the PC warranty. Use proper ESD procedures when servicing. Protect components from harmful environmental conditions, such as extreme temperatures, excessive moisture or other damaging effects.

## DISCONNECT POWER

Always turn the power off and unplug the unit before servicing or making adjustments unless otherwise instructed. Installing or repairing components while power is on can damage the components and void the warranty.

## GROUNDING

Avoid electrical shock. Do not plug in AC power until you have inspected and properly grounded the unit. Only plug into a grounded, three-wire outlet. Do not use a “cheater” plug or cut off the ground pin on the line cord.

## ELECTRICAL SHOCKS

There is no isolation transformer in the cabinet. Disconnect AC power before servicing. However, be aware that lethal voltages can remain in the electronic components even when AC power is disconnected. Use extreme caution when servicing. Verify that there is a working ground connection. If the unit sustains water damage, cease using it immediately and unplug AC power.

## MONITOR

The monitor contains no user serviceable parts. Do not attempt to service the monitor.

## POWER SELECTOR

Whenever applicable: Before installing game, ensure the voltage on the PC and power supply is set properly. There is a 115/230 VAC selector switch that must be set for the correct voltage for your site. The setting must match the line voltage at the installation site.

## POWER CORD

If the power cord is damaged or lost, replace it with an identical cord as supplied by the manufacturer or an authorized service agent.

## SURGE SUPPRESSOR

It is recommended that you plug your game’s power cord into a surge suppressor to help protect from power surges that may damage sensitive electronic components.

### **WATER AND OTHER LIQUID SOURCE**

Do not install game near sprinkler or other water jet sources. Do not use water jet to clean game. Keep minimum clearance behind game and wall for proper ventilation but also prevent access of liquid from spills and sprays from entering ventilation holes.

### **CONNECTORS**

When servicing machine, ensure all connectors mate properly. If connectors do not slip in easily, do not force them. Connectors are often keyed and only connect one way. Check for correct orientation.

### **COMPUTER**

The computer contains sensitive components, including a hard drive. Do not handle it roughly. Call your distributor before servicing its internal components. Ask about warranty information as it relates to the PC.

Do not turn the PC power switch on or off. It should remain permanently in the ON position.

Cycle AC power on or off with the cabinet power switch.

A dongle has been inserted into one of the USB ports. This is required for game play.

Do not remove the dongle except for troubleshooting purposes.

### **TEMPERED GLASS WARNING**

When handling the LCD display glass cover take especial care and set the glass down softly on a flat surface free of debris. The edge of the glass is sensitive to hard impact. Shattered glass from the can travel long distances and cause bodily injury. Use proper procedures when handling broken materials.

### **HAZARD TO EPILEPTICS**

A small portion of the population has an epileptic condition that may cause seizures. Affected persons experience seizures while watching some television pictures or playing certain video games. People who have not had seizures may still have an undetected epileptic condition. If anyone in your family has experienced epilepsy symptoms (seizures or loss of awareness), consult your physical before using video games. While children play video games, a parent should observe. Be alert to the following symptoms: dizziness, altered vision, eye or muscle twitching, involuntary movements, loss of awareness, disorientation or convulsions. If you or your child experiences these symptoms, discontinue use immediately and consult your physician.

### **MANUAL**

Keep this manual available and ready for use. Please check our website [www.rawthrills.com](http://www.rawthrills.com) for the latest information regarding this and other Raw Thrills products. If the game fails to function properly, turn off the machine and unplug the AC line cord. Contact your local distributor. You may not reproduce this document or any of its contents without written authorization from Raw Thrills, Inc. or Play Mechanix™ Inc.

### **SPECIFICATIONS**

For reasons, such as performance, this product's specifications may change without notice. Federal patent, copyright and other intellectual property laws protect the content, devices and design of the game and its equipment.

# Product Specifications

## Electrical Power

United States, international and Japan  
Inrush AC Current: 7 Amps  
Operating AC Current: 5/2.5 Amps  
Voltage: 100/115/230 VAC 50/60Hz

### **Electrical Safety Notice:**

For continued protection against the risk of fire, use only specified fuse values.

## Dimensions

Height: 93.50" (2.35 meters)  
Width: 43.14" (1.20 meters)  
Depth: 84.00" (2.013 meters)

**ELECTICAL SAFETY NOTICE:** REPLACE FUSE WITH SPECIFIED FUSE RATING ONLY. DO NOT REPLACE FUSE WITH HIGHER THAN SPECIFIED RATING.

### **RIO PCB FUSE GUIDE:**

+5 VDC - 3 amp Slow Blow (RIO MCU, START BUTTON)  
+12 VDC - 5 amp Slow Blow (COIN DOOR, COOLING FANS, DASH LED)  
\*+12 VDC - AUDIO POWER USES A THERMAL FUSE, RIO F3

### **POWER SUPPLIES:**

PART #330-00004-01 - 150W, 12V, auto-switching dual voltage, low-leakage  
PART #500-00193-01 - 320W, 12V PFC auto-switching dual voltage

## Temperature

50° F to 104° F  
(10° C to 40° C)

## Humidity

Must not exceed 95% relative humidity

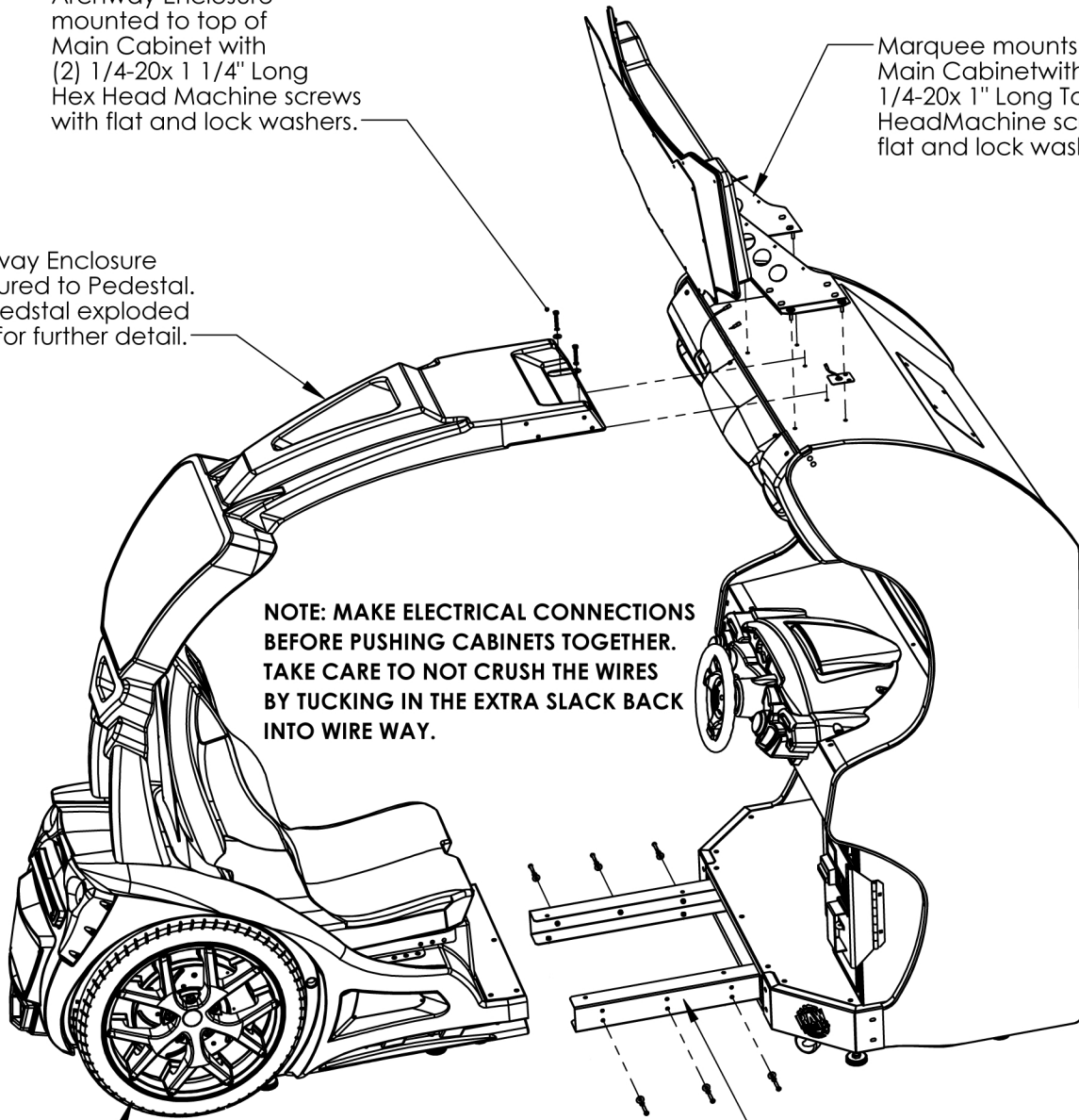
# SETUP

Archway Enclosure mounted to top of Main Cabinet with (2) 1/4-20x 1 1/4" Long Hex Head Machine screws with flat and lock washers.

Marquee mounts to Main Cabinet with (4) 1/4-20x 1" Long Torx Head Machine screws with flat and lock washers.

Archway Enclosure is secured to Pedestal. See Pedestal exploded view for further detail.

**NOTE: MAKE ELECTRICAL CONNECTIONS BEFORE PUSHING CABINETS TOGETHER. TAKE CARE TO NOT CRUSH THE WIRES BY TUCKING IN THE EXTRA SLACK BACK INTO WIRE WAY.**



Removal of Pedestal Assembly and Pedestal Mounting Struts required for passage thru 36" doorway. Lower Pedestal mounting hardware includes (6) 1/4-20x 1 1/4" Long Torx Head Machine screws with flat and lock washers. There are an additional (8) 1/4-20x 1 1/4" Long Hex Head Machine screws with flat and lock washers on the inside of Main Cabinet which need to be removed as well.

## Check Electrical Settings

1. Verify the voltage in the nearest AC outlet.
2. Verify the AC outlet ground connection is present and working.

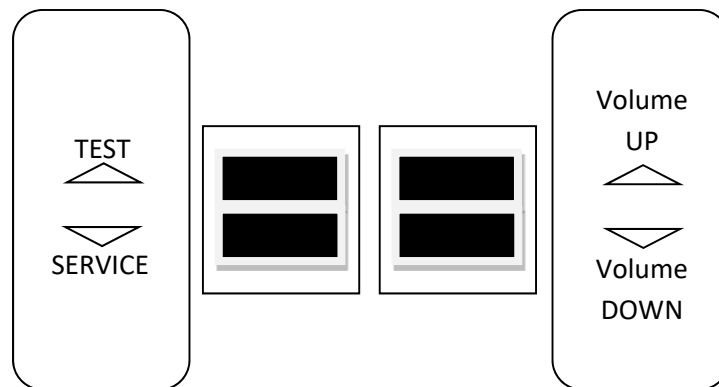
## Startup Game

1. Plug in line cord to AC outlet.
2. Turn the power switch to ON.
3. Check that no component is excessively hot or emitting foul odors.

*If not, turn off AC power and disconnect line cord. Refer to the diagnostic section of this manual.*

## Diagnostics and Adjustments

The Service Button Panel has four buttons, which used to navigate the menu system. Additional test menu navigation options are also displayed on the screen.



TEST button enters diagnostic system. **IMPORTANT NOTE: You must hold down the TEST button for a least 2 seconds to Enter the Test Menu.**

- Either Start button or TEST button selects the highlighted option
- VOL DOWN button or moves down through menu or setting choices. (Service Panel VOL UP button or moves up through menu or setting choices.
- Service Button adds a single credit for each press or returns to previous screen on test mode.
- Test Menu screen navigation instructions and a description of each setting and adjustment option is displayed on the screen. All settings will be automatically saved upon exiting test mode.

## Basic Functional Test On Initial Power Up

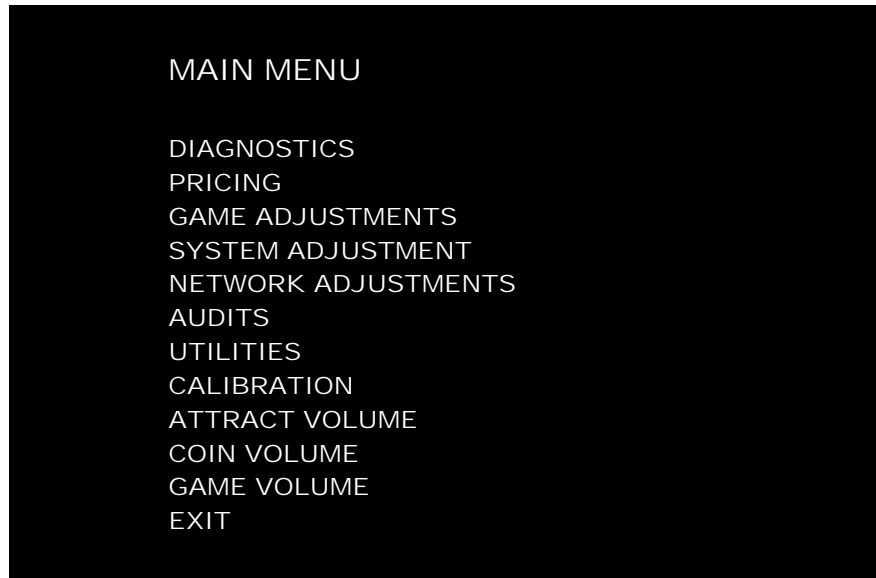
See the Diagnostic Section for further information.

1. Enter the Switch Test menu and verify all switches function.
2. Enter the Monitor Test menu and verify that video is acceptable.
3. Enter the Sound Test. Verify that speaker output is not distorted or missing.
4. Enter the Coin Meter Test and verify the operation of the coin meter.
5. Enter the Cabinet Lamps Test menu and verify that all cabinet lights work correctly.
6. Enter the Watchdog Test menu. This will automatically reboot the game. Verify that game loads and starts after rebooting.
7. Upon a successful reboot, you are ready to make adjustments to pricing, volume and other functions found in the Adjustments, Audits and Diagnostics section.
8. Take the time to play a test game to make sure that you are satisfied with your settings.



# Adjustments, Audits and Diagnostics

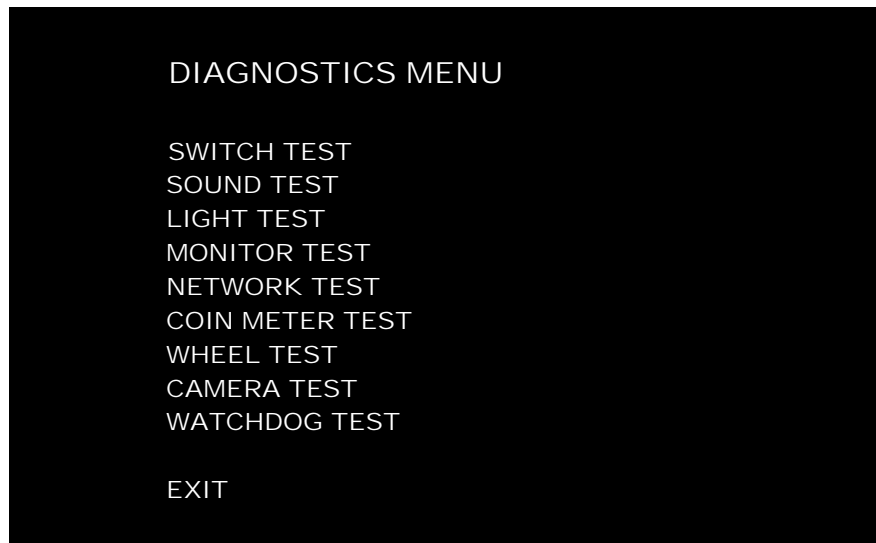
## Main Menu



## Main Menu

### Diagnostics Menu

This menu allows all game functions to be verified or diagnosed.

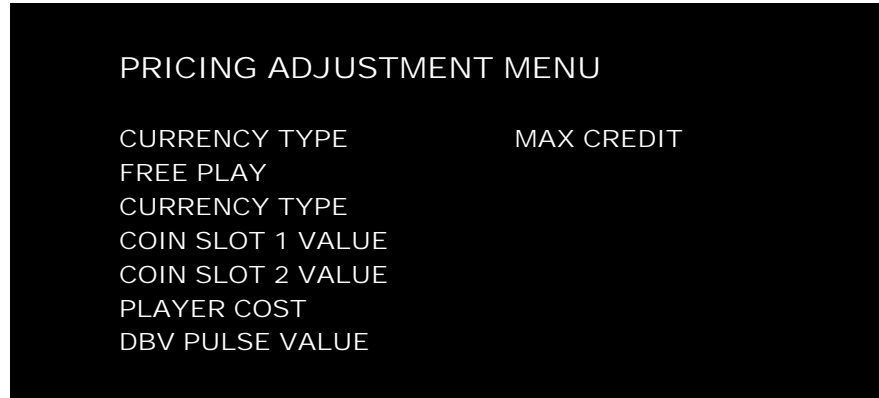


You can improve collections by periodically verifying proper game function and operation.

**Main Menu**

**Pricing Adjustments Menu**

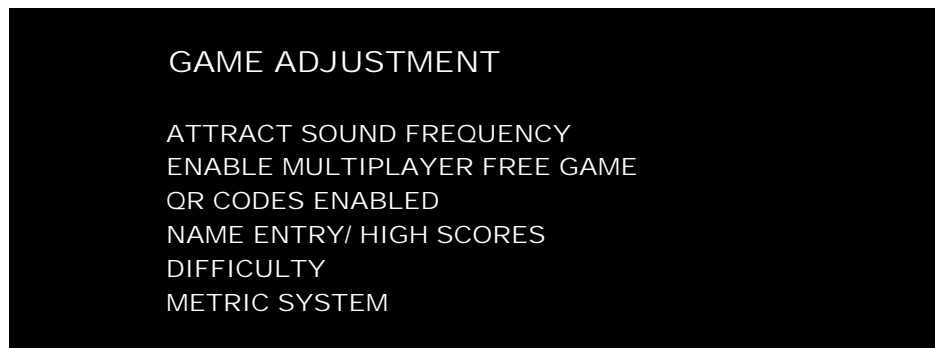
This allows customization of coin values, currency denominations, bill pulse and swipe value.



**Main Menu**

**Game Adjustments**

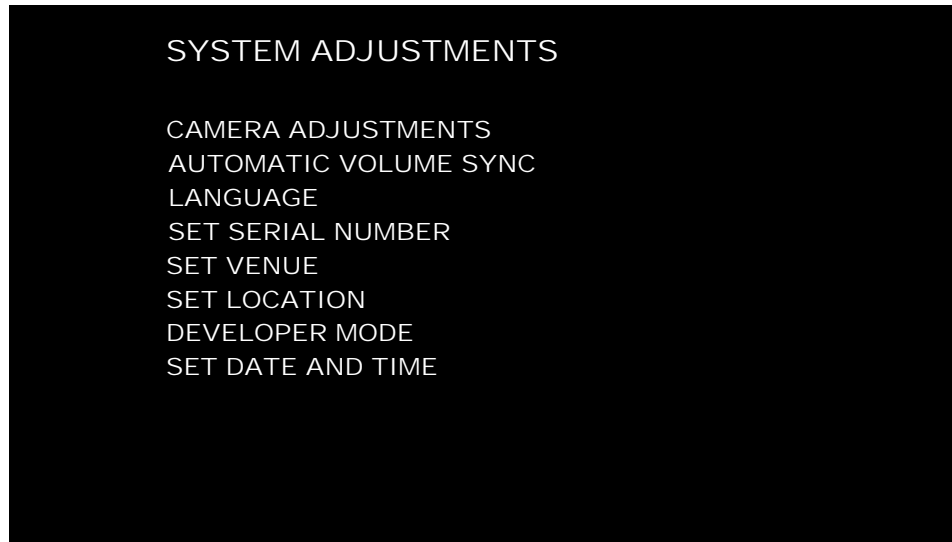
This menu allows for customization key game features and functionality.



## Main Menu

### System Adjustments

Adjust settings across linked games. Camera and volume adjustments/settings.

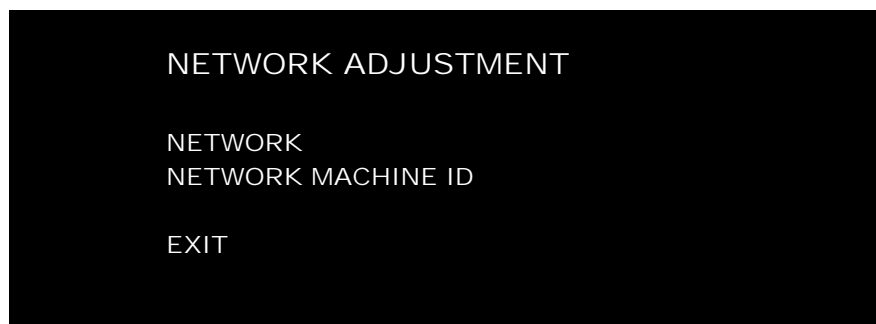


## Main Menu

### Network Adjustments

Turn Network (Game Linking) feature On or Off. Assign Network ID for each unit.

- "Network machine ID": A unique number identifying this machine from the others. This is also the player's number. (For example, machine ID 1 will be named "Player 1" during a game.)



## Main Menu

### Audits

Check game audits periodically to detect errors or game related issues. Information here can help diagnose intermittent issues which may affect earnings potential.

## AUDITS

- GAMEPLAY AUDITS
- COMBINED GAMEPLAY AUDITS
- SYSTEM AUDITS
- COIN AUDITS
- VIEW ERROR LOG
- VIEW GAME LOG
- SYSTEM INFORMATION
- EXPORT AUDITS AND ERROS TO USB
- EXPOERT CORE DUMP TO USB

## Main Menu

### Utilities

Reset Audit items, saved data, credits or perform a factory reset. **Factory Reset will require a controls calibration.**

## UTILITIES

- RESET ALL AUDITS
- RESET COIN AUDITS
- RESET CREDITS
- RESET HIGH SCORES
- RESET ALL ADJUSTMENTS
- RESET SAVED PLAYER DATE
- FACTORY RESET

## Main Menu

### Calibration

Calibration of controls is an important part of game maintenance and up-keep to ensure maximum earnings. Heavy play might affect the way analog controls behave over a long period of time. Calibrate controls as part of your regular collection and maintenance schedule.

#### CALIBRATION MENU

Step1: Turn the steering wheel to the left.  
Wheel= 1972

Press Start When Finished

## Main Menu

### Attract, Coin and Game Volume

Each of the following sound levels are independently controlled to suit your location preference. Attract sound is an important part of creating interest in the game during slow traffic periods. Game volume adds to the player's quality experience as well as generate interest from nearby spectators.

#### VOLUME ADJUSTMENT

GAME VOLUME	12
COIN VOLUME	10
ATTRACT VOLUME	10

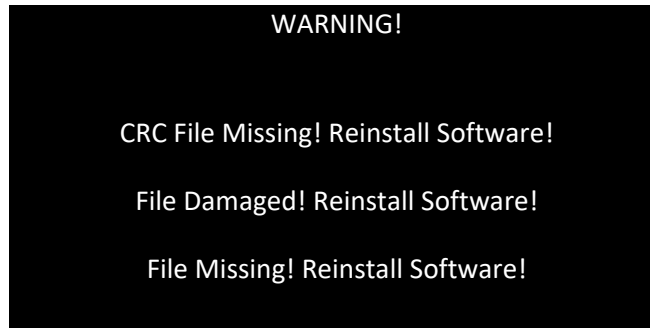


## Maintenance

### Hard Drive Recovery

Symptoms requiring hard drive recovery include

- File Test reports bad or missing files.
- Game fails to finish loading during startup.
- After resetting the AC power, an error is reported.
- Erratic Game or Attract Mode.
- The following screen:



The only way to repair corrupt files is to reinstall the software as described below:

#### COMPUTER

The computer contains sensitive components. Do not handle roughly. Call your distributor before servicing its internal components. Ask about warranty information as it relates to the PC.

Do **not** use the PC on/off switch. Turn AC power on or off with the cabinet power switch.

1. With game and PC on, verify that the RIO board has power. If not, see Troubleshooting.
2. Open the Coin door.
3. Insert the recovery USB thumb drive (included in your game) into the open USB extension port on the test/service bracket.
4. Turn cabinet power switch to OFF. Wait 30 seconds.
5. Turn cabinet power switch to ON.
6. Select the "Cruis'n Blast" restore version from the menu and follow on screen instructions
7. If recovery does not begin, check to ensure USB Drive is inserted correctly and is not damaged.
8. Initial software loading may take several minutes. Check progress periodically.  
*Do not interrupt power or reset the game during recovery.*
9. When software has been loaded, a message indicates that restore is complete. When instructed to remove *USB Drive*, remove the drive from the PC.
10. Turn cabinet power switch off.
11. After 30 seconds, turn cabinet power switch on.
12. Game will reboot and enter the Attract Mode.
13. Start a test game to make sure that game is operating normally.

# BIOS Settings/Power Management

## **NOTICE**

The PC ships with correct BIOS settings. Making changes to the BIOS different from the description below may adversely affect game functions.

This BIOS setting lets the PC automatically power up. With the setting enabled, the PC reboots when it detects AC power. This eliminates the need to manually turn the PC back on after power disruption.

Turn AC power on or off with the cabinet power switch. To access the BIOS Settings, you must insert a keyboard and hold the **F10** key while the PC is booting up. From the Menu, Select “BIOS Setup”

1. Turn cabinet power switch off.
2. Open rear of cabinet.
3. Connect a USB keyboard to the PC.
4. While holding the F10 key on the keyboard down, turn cabinet power switch on.
5. When the BIOS menu screen appears, make the following adjustments.

Note: Below you will find the critical settings that are different than PC BIOS default settings.

The settings below are critical for proper operation of the game. All other setting should be left to the PC default and do not require adjustment. For a full list of BIOS options, please contact your distributor.

- **STORAGE > BOOT ORDER >**
  - UEFI Boot Sources
    - ATAPI CD/DVD Drive
    - USB Floppy/CD
    - USB Hard Drive
  - Legacy Boot Sources
    - ATAPI CD/DVD Drive
    - USB Floppy/CD
    - Hard Drive
    - [DISABLED] Network Controller
- **ADVANCE POWER OPTIONS > POWER-ON OPTIONS >**
  - After Power Loss : ON



# Troubleshooting

**Warning:** Review safety chapter before making any adjustments to game.

Problem	Possible Cause	Solution
Game will not power up.	Game not plugged in	Plug game into AC outlet.
	Game not turned on	Turn on main power switch.
	Game fuse is blown.	Check and replace fuse.
	No power to receptacle	Test AC outlet and plug game into powered outlet.
	PC not turned on.	Turn ON main AC power switch. Depress AC resettable switch. Replace or swap 12VDC power supply or RIO pcb.
	PC BIOS set incorrectly.	See BIOS Settings chapter.

Buttons do not work	Faulty micro switch	Replace the micro switch on the button and re-test. Verify that the wires are connected to the correct spades on the micro switch
	Faulty wiring	Disconnect the cabinet from AC power. Verify that all wires are firmly connected to each button and the PCB. Verify that no wires are frayed or improperly shorting to ground. Verify that wires are connected to the correct spades on the micro switches.
	Faulty PCB	Ensure all connections to PCB are secure. Replace PCB if faulty.

Neither buttons nor audio work	PCB connected to faulty USB port (boot message may indicate not detected)	To test a USB port, turn off the game, disconnect the device from the port, and then connect the game dongle to the port. Reboot the game. A No Dongle message indicates the port is bad. If the game starts, the port is working. After the test, reconnect all devices to the correct USB ports and reboot.
--------------------------------	---	---

No sound or bad sound	Bad connection	Check connection to speakers.
	Volume set too low	Use VOL UP button on Test panel to raise volume
	Faulty wiring	Verify all wires are firmly connected to the speakers, PCB, and green computer audio port.

		Verify that each wire is connected to the correct port and no wires are frayed or improperly shorting to ground.
Blown speakers		Remove the grill and inspect each speaker for visible damage. Run the Sound Test from System Tests in the Operator Menu to verify each speaker is working.
Reversed wires		A weak or low muffled sound is a sign of reversed speaker wires. Check for reversed wires on each speaker.
Faulty PCB		To verify audio is working at the computer, connect stereo headphones to the green computer audio port.

Constant low audio hum	Faulty power supply	Check external DC supply and the PC supply.
	Open ground	Check all ground wires in cabinet. Ensure AC wall outlet is properly grounded

LCD display flicker or fail to light.	Bad connection	Check for snug connection at inverter or under topper bracket.
	Loose end caps	Tighten end caps.

Game does not load.	Hard drive failure	Recover hard drive.  See Hard Drive Recovery procedure in Maintenance section.
Hard drive test reports "bad" or "missing" files.		
Game fails to finish loading.		
After resetting, game still reports an error.		
Game suggests inserting a boot <b>(USB DRIVE)</b>		
Erratic game mode or attract mode.		
<p style="text-align: center;">WARNING! Data Files Corrupted. (Game Operation May Become Unstable.) Use "Test" Switch to Enter Test Mode and Run "File Test." Press Start to Continue.</p>		
<b>Problem</b>	<b>Possible Cause</b>	<b>Solution</b>
Game resets.	Bad file.	Run File Test. Restore hard drive.

Coin meter does not click during Test.	No pulse to meter	Check wiring from meter to RIO board.
	Faulty meter	Replace coin meter

Improper number of credits given when coins or bills are inserted	Incorrect setting in Adjustments	Adjust settings
	Faulty wiring	Disconnect cabinet from AC power. Verify wires are firmly connected to coin mech and bill validator and ground wires are properly connected. Verify no wires are frayed or shorting to ground.
	Faulty coin mech	Verify coin mech is not jammed. Ensure coin mech is properly aligned and latched to coin door.

Coin meter does not work	Blown fuse(s) on RIO PCB	Replace 5V on RIO PCB
--------------------------	--------------------------	-----------------------

Exits Test Mode every 3 seconds	Test button stuck in ON position	Slide or toggle button off after Test Menu appears
---------------------------------	----------------------------------	--

<i>NO VIDEO</i> message	Video cables not plugged in properly	Reattach and tighten power and video cable to monitor.
-------------------------	--------------------------------------	--

<i>No Signal</i>	Video or power cable not secure	Check and secure cable.
	PC not turned on	Turn PC power switch on. Ensure IEC cable tightly plugged in. Trace cable back to source to ensure continuity.

<i>Dongle Not Present</i>	Dongle missing or disconnected	Find dongle cable and reseat in USB port
	Faulty USB port	Insert dongle cable in different USB port

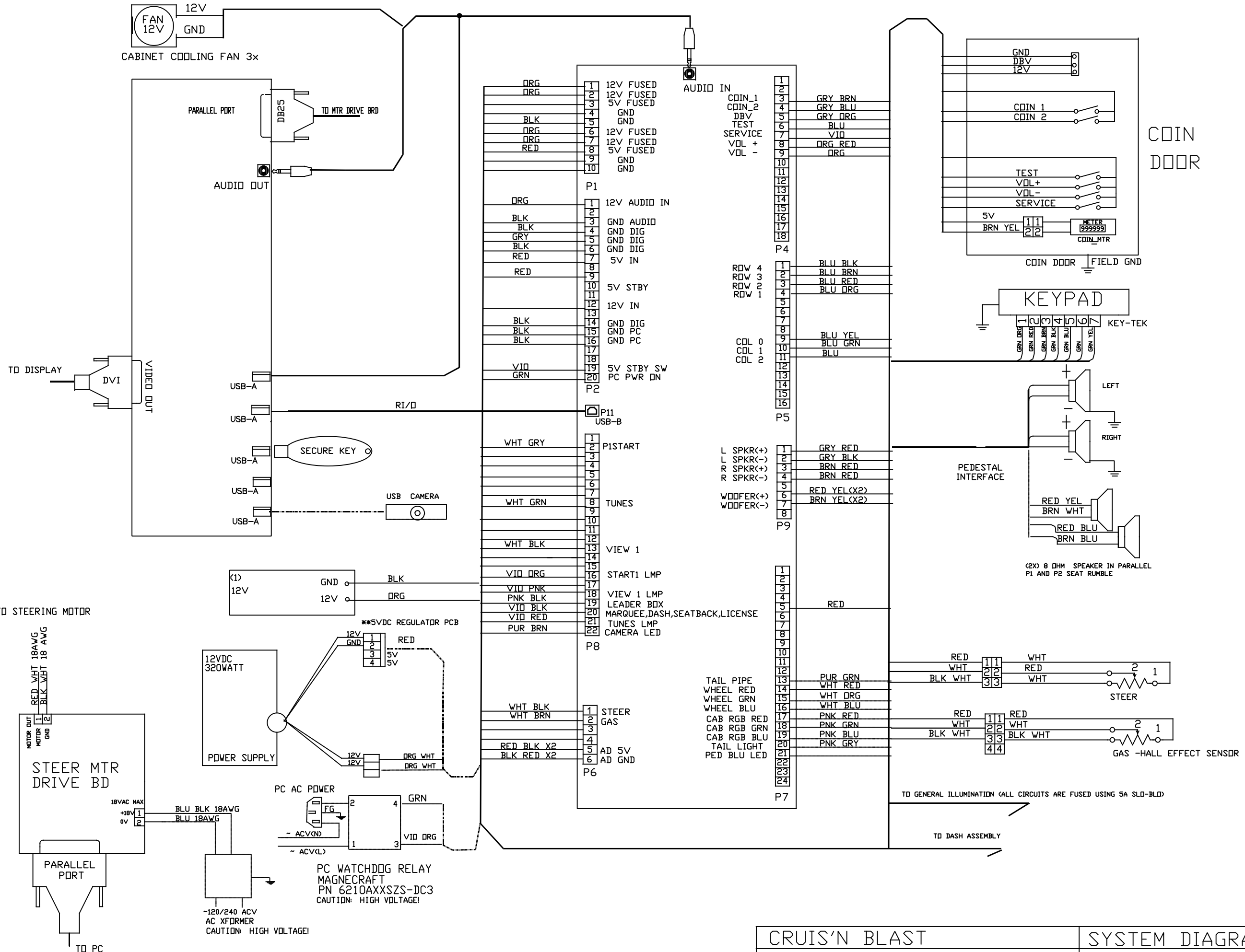
<i>Connect RIO Board or RIO Board Missing</i>	USB cable disconnected	Check USB connection from PC to RIO board
	No power to RIO board	Check for proper voltage (+5V, +12V) at P2 connector

	Possible Cause	Solution
<b>Problem</b>	Networking not enabled	Switch Network to "ON" in test menu => Network Adjustments
Single game won't link to other linked games	Two machines have the same network ID	Make sure all linked machines have different IDs. Make sure to allow the game to reboot itself (not power-cycle!) after changing network IDs.
	Networking not enabled	Switch Network to "ON" in test menu of all games => Network Adjustments
No games will link	Network hub or switch not powered.	Make sure network switch has power.

	Network hub or switch is faulty.	Replace network hub or switch.
	Multiple machines have the same network ID	Make sure all linked machines have different IDs. Make sure to allow the game to reboot itself (not power-cycle!) after changing network IDs.
No games will link Machine disconnected mid-game	Two games linked directly with network cable are linked with faulty cable.	If not using a hub or switch, make sure two games are linked with cross-over network cable.
	Temporary network failure	Allow the game to return to attract mode or the test menu. It will reconnect automatically.

SYSTEM DIAGRAM  
AND  
MECHANICAL ILLUSTRATIONS





CRUIS'N BLAST SYSTEM DIAGRAM

4

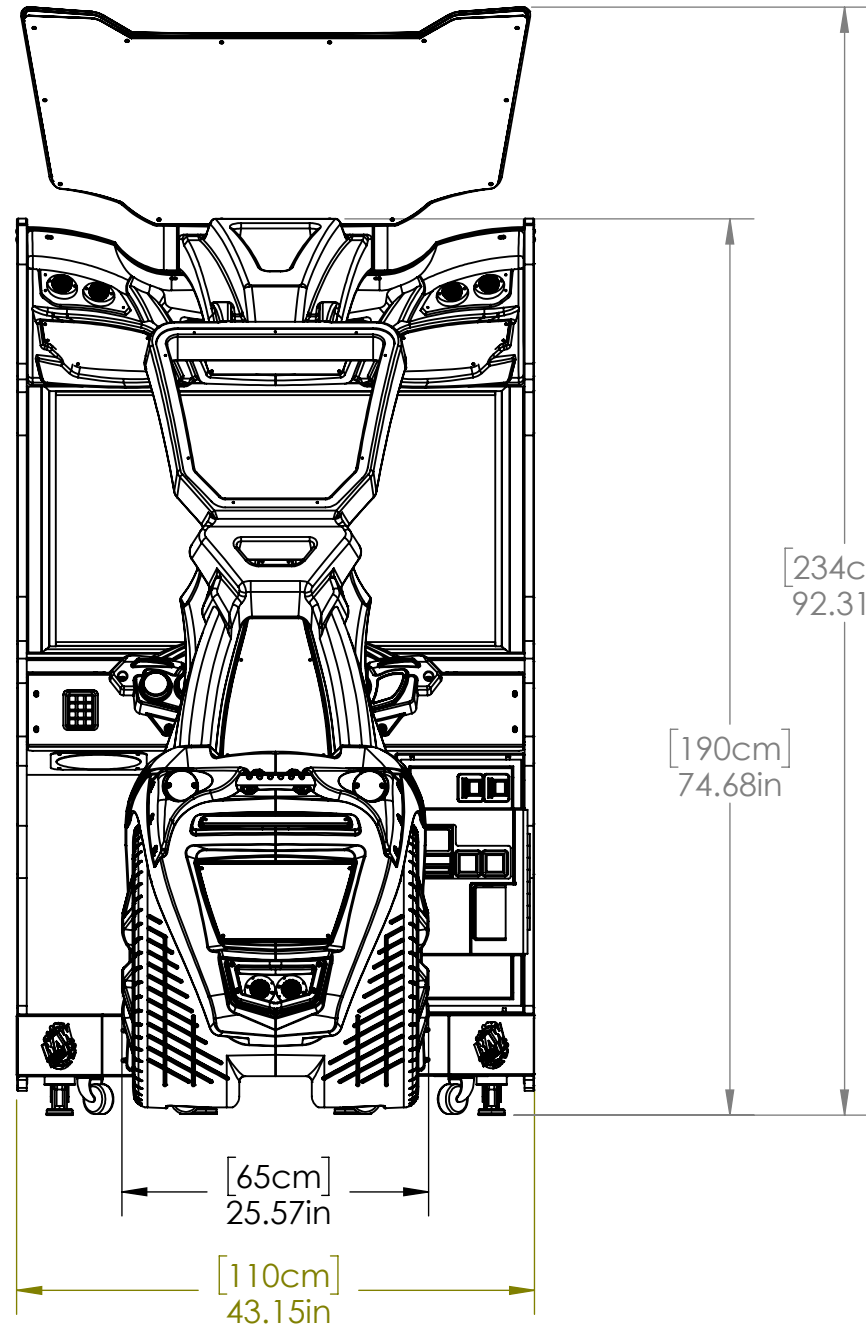
3

2

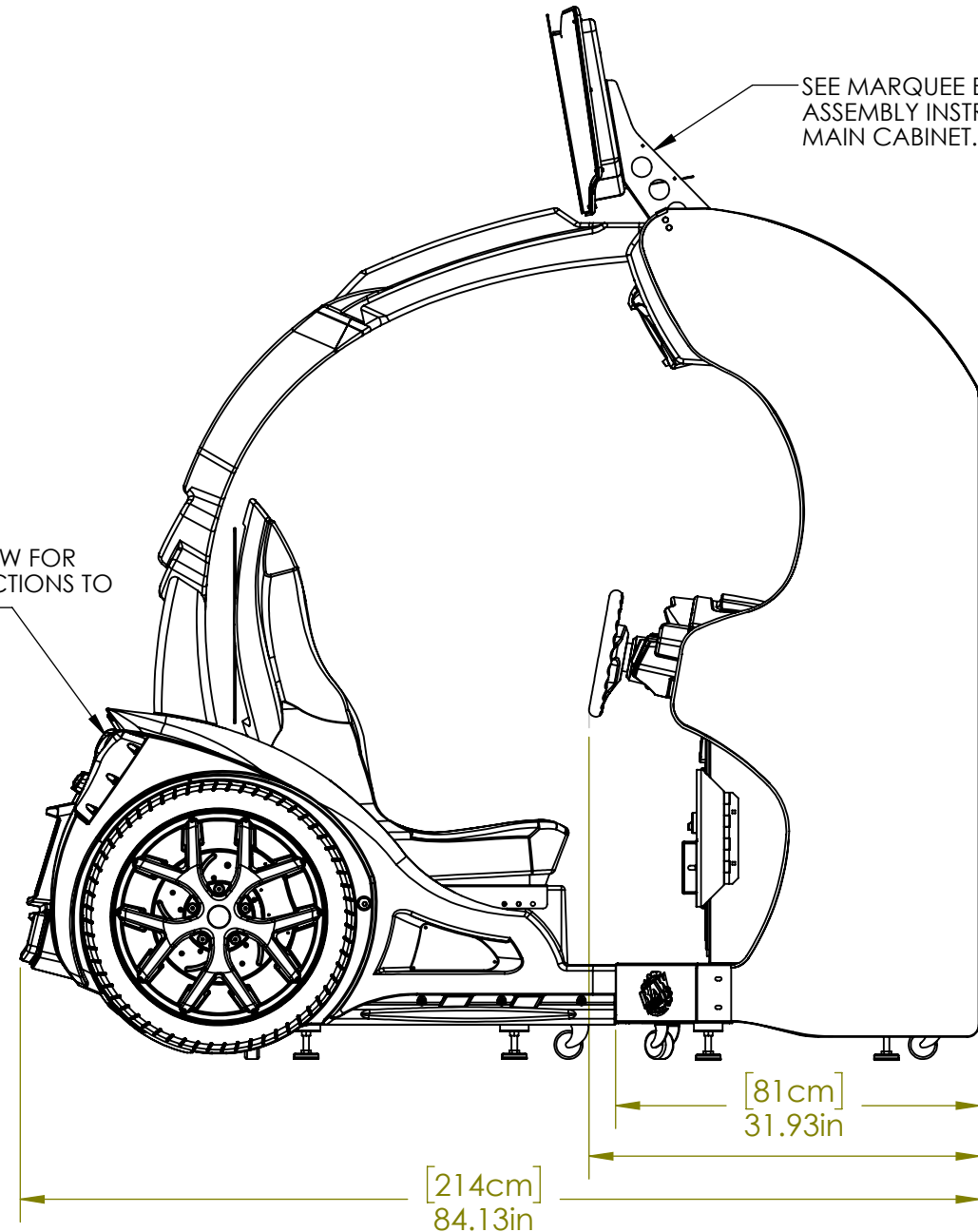
1

# CRUIS'N GAME ASSEMBLY

REVISIONS				
ZONE	REV.	DESCRIPTION	DATE	APPROVED
	1	MANUAL ASSEMBLY DETAILS & INSTRUCTIONS	7/20/2016	MJD



SEE EXPLODED VIEW FOR ASSEMBLY INSTRUCTIONS TO MAIN CABINET.



**PROPRIETARY AND CONFIDENTIAL**  
 THE INFORMATION CONTAINED IN THIS DRAWING IS THE SOLE PROPERTY OF RAW THRILLS, INC. ANY REPRODUCTION IN PART OR AS A WHOLE WITHOUT THE WRITTEN PERMISSION OF RAW THRILLS, INC IS PROHIBITED.

UNLESS OTHERWISE SPECIFIED:		NAME	DATE
DIMENSIONS ARE IN INCHES		DRAWN	
TOLERANCES:		CHECKED	
FRACTIONAL: ±		ENG APPR.	
ANGULAR: MACH ± BEND ±		MFG APPR.	
TWO PLACE DECIMAL ±		Q.A.	
THREE PLACE DECIMAL ±		COMMENTS:	
INTERPRET GEOMETRIC TOLERANCING PER:	MATERIAL		
FINISH			
NEXT ASSY	USED ON		
APPLICATION	DO NOT SCALE DRAWING		

**RAW THRILLS, INC**

TITLE:  
**CRUIS'N ASSEMBLY DETAILS**

SIZE <b>B</b>	DWG. NO. <b>CRUIS'N</b>	REV <b>1</b>
------------------	----------------------------	-----------------

SCALE: 1:16 WEIGHT: SHEET 1 OF 10

4

3

2

1

B

B

A

A



4

3

2

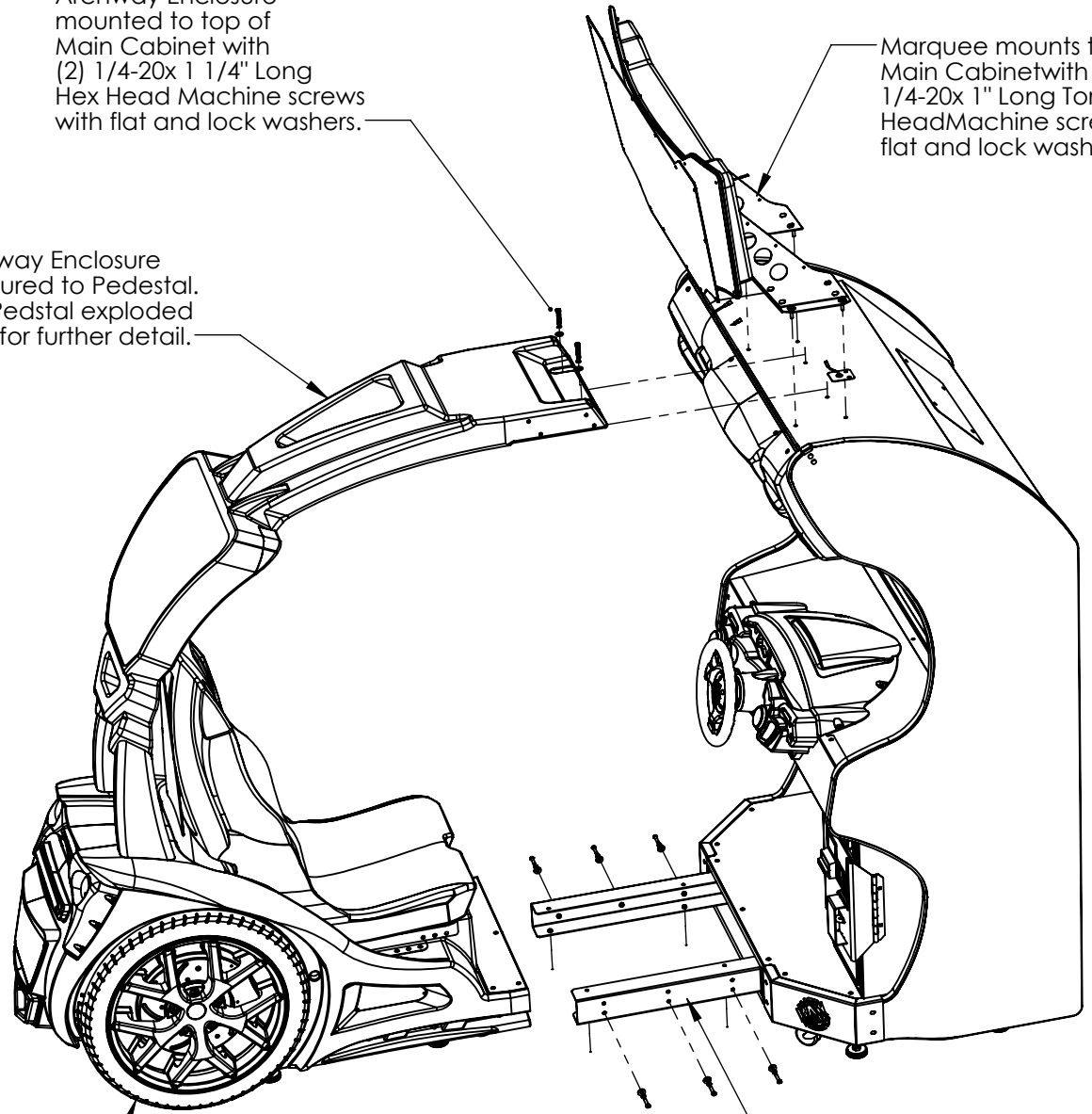
1

# PEDESTAL AND MARQUEE MOUNTING TO MAIN CABINET ASSEMBLY

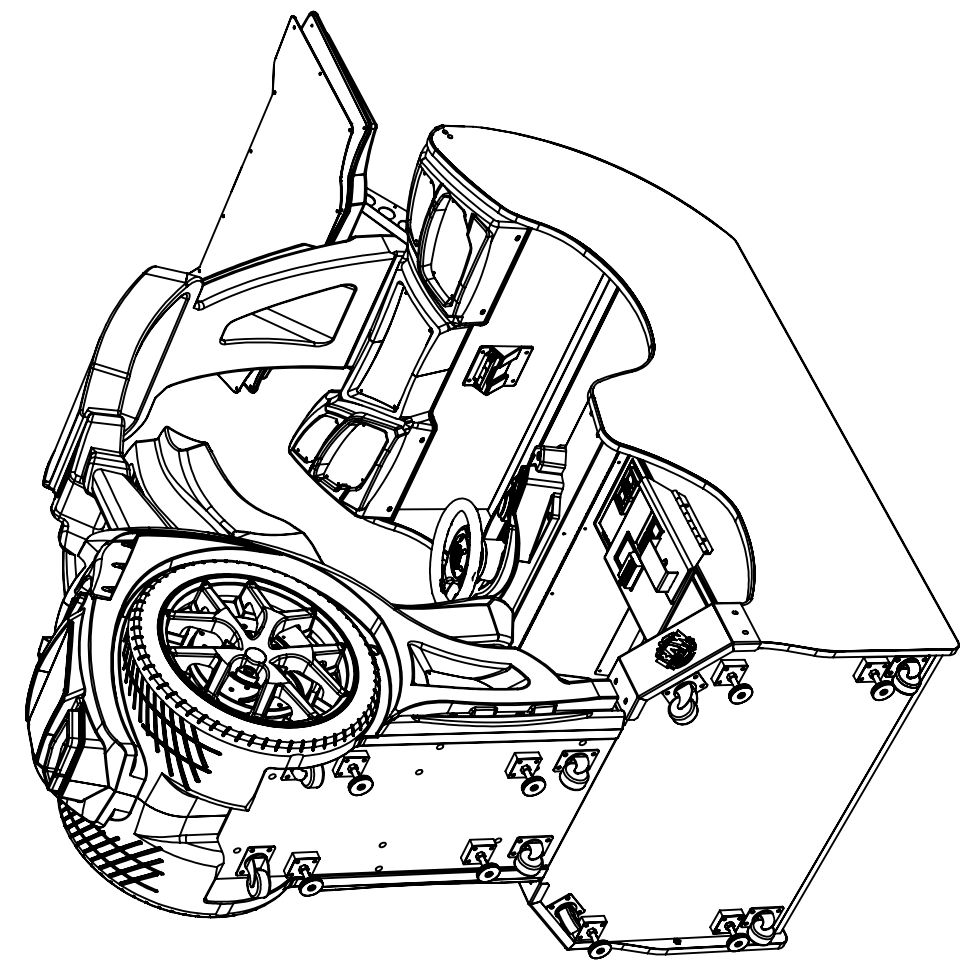
Archway Enclosure mounted to top of Main Cabinet with (2) 1/4-20x 1 1/4" Long Hex Head Machine screws with flat and lock washers.

Marquee mounts to Main Cabinet with (4) 1/4-20x 1" Long Torx Head Machine screws with flat and lock washers.

Archway Enclosure is secured to Pedestal. See Pedstal exploded view for further detail.



Removal of Pedestal Assembly and Pedestal Mounting Struts required for passage thru 36" doorway. Lower Pedestal mounting hardware includes (6) 1/4-20x 1 1/4" Long Torx Head Machine screws with flat and lock washers. There are an additional (8) 1/4-20x 1 1/4" Long Hex Head Machine screws with flat and lock washerson the inside of Main Cabinet which need to be removed as well.



**PROPRIETARY AND CONFIDENTIAL**  
THE INFORMATION CONTAINED IN THIS DRAWING IS THE SOLE PROPERTY OF <INSERT COMPANY NAME HERE>. ANY REPRODUCTION IN PART OR AS A WHOLE WITHOUT THE WRITTEN PERMISSION OF <INSERT COMPANY NAME HERE> IS PROHIBITED.

		UNLESS OTHERWISE SPECIFIED:		NAME	DATE
		DIMENSIONS ARE IN INCHES		DRAWN	
		TOLERANCES:		CHECKED	
		FRACTIONAL ±		ENG APPR.	
		ANGULAR: MACH ± BEND ±		MFG APPR.	
		TWO PLACE DECIMAL ±		Q.A.	
		THREE PLACE DECIMAL ±		COMMENTS:	
		INTERPRET GEOMETRIC TOLERANCING PER:			
		MATERIAL			
		FINISH			
NEXT ASSY	USED ON				
APPLICATION		DO NOT SCALE DRAWING			

**RAW THRILLS, INC**

TITLE:  
**Cruis'n Assembly Details**

SIZE	DWG. NO.	REV
<b>B</b>	Cruis'n-Final-Assembly-Dwgs	<b>1</b>

SCALE: 1:16 WEIGHT: SHEET 2 OF 10

4

3

2

1

B

B

A

A

4

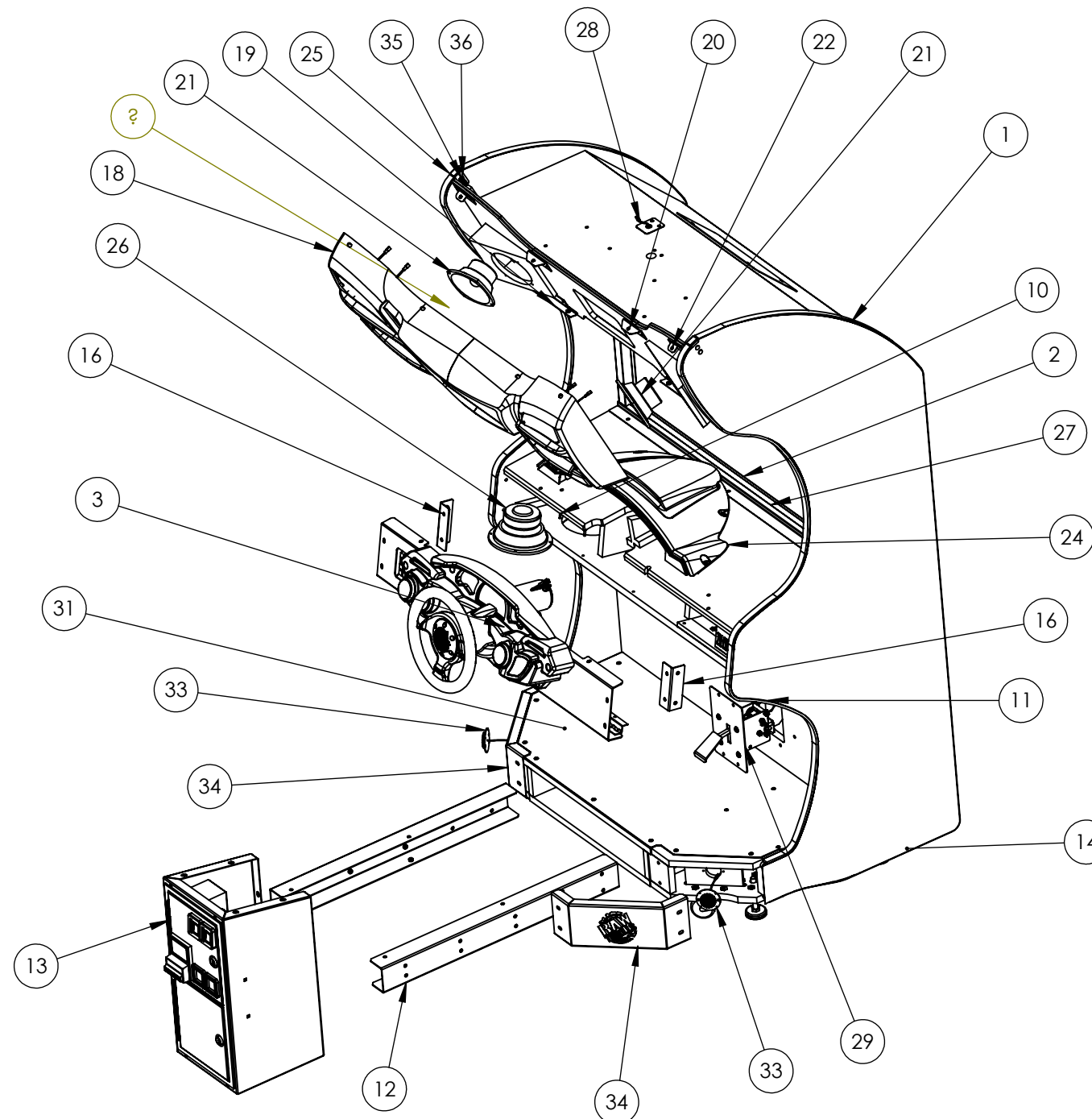
3

2

1

ITEM NO.	PART NUMBER	DESCRIPTION	QTY.
1	601-00743-01	CRUISN Main Cabinet	1
2	Cruisn_Monitor_Assy	42"-Cruis'n_Monitor_Assembly	1
3	Cruisn-Dash-Assy	Cruisn-Dash-Assy (See Exploded)	1
4	Cruisn_RIO_ASSY	Cruis'n RIO/Board set Assembly	1
5	PC-Strap Assy	PC-Strap Assy.SLDASM	2
6	FanAssy	DC fan and wire guard assembly	3
7	Moto-GP_A-C Plate Assy	Moto-GP_A-C Plate Assembly	1
8	601-00746-01	Cruis'n Mid Back door	1
9	Cruisn Back Door Assy	Moto-GP 42" Back Door Assy	1
10	600-01786-01	GRILL-WOOFER-JP-55	1
11	603-00762-87	LED Cabside-Tmolding (87")	2
12	600-01777-01	Cruis'n Pedestal Strut (2) req'd	2
13	Cruis'n Vault Assy	Cruis'n Vault Assy	1
14	800-00007-00	2 -1/2" CASTER	2
15	800-00003-00	Leg Leveler Plate	2
16	600-01788-01	Cruis'n Dash Mounting Bracket (2)	2
17	LED-EXTRUSION-ASSY-40cm_16in	LED-EXTRUSION-ASSY-40cm (16in) Long	1
18	Speaker Bezel-Housing-Assy	Speaker Bezel-Housing-Assy (See Exploded)	1
19	600-01784-01	Cruis'n Speaker Bezel Bracket-Lower(2) req'd	2
20	600-01783-01	Cruis'n Speaker Bezel Bracket-Middle(2) req'd	2
21	2-1-10-00-00-000	5.25 Full Range Speaker, 8 ohm	2
22	600-01782-01	Cruis'n Speaker Bezel Bracket-Upper (2) req'd	2
23	600-01787-01	Cruis'n Rear Access plate	1
24	603-00778-01	Cruis'n-Hood-InjMolded	1
25	600-01795-01	LED T-Molding Clip (Straight)	2
26	2-1-11-00-00-000	SPEAKER-WOOFER-6.5" 4 OHm	1
27	600-01800-01	Cruis'n- Lower Monitor Bracket	1
28	01-1842	Moto-GP Header Harness Plate w Grommet	1
29	604-00052-01	Gas Pedal Assy	1
30	Cruis'n CAMERA BOX ASSY	Cruis'n CAMERA BOX ASSY (See Exploded)	1
31	600-01875-01	Cruis'n-Cabinet Tread Plate	1
32	RBG Camera Light Strip Assy	RBG Camera Light Strip Assy (4")	1
33	500-00204-01	RED LED Superpuck PCB	2
34	Cruis'n-Kick Plate Assy	Cruis'n-Kick Plate Assy COMMON 2 REQD	2
35	92356A263	92356A263/#8-32_1-1/4L Carriage Bolt Blk	4
36	94831A611	94831A611 #10-32 , 1/2" Flange Nut	4
37	810-00053-01-with base mount	Test Service Button Assy	1
38	600-00891-01	Securing Nylon Strap Plate	4
39	850-00021-00	HP705.SLDPRT	1
40	Foam Pad		1
41	600-01917-01	Cruis'n-UNDERDASH CLEAR PETG	1

# CRUIS'N MAIN CABINET ASSEMBLY



**PROPRIETARY AND CONFIDENTIAL**  
THE INFORMATION CONTAINED IN THIS DRAWING IS THE SOLE PROPERTY OF RAW THRILLS, INC. ANY REPRODUCTION IN PART OR AS A WHOLE WITHOUT THE WRITTEN PERMISSION OF RAW THRILLS, INC IS PROHIBITED.

UNLESS OTHERWISE SPECIFIED:		NAME	DATE
DIMENSIONS ARE IN INCHES		DRAWN	
TOLERANCES:		CHECKED	
FRACTIONAL: ±		ENG APPR.	
ANGULAR: MACH ± BEND ±		MFG APPR.	
TWO PLACE DECIMAL ±		Q.A.	
THREE PLACE DECIMAL ±		COMMENTS:	
INTERPRET GEOMETRIC TOLERANCING PER:			
MATERIAL			
FINISH			
NEXT ASSY	USED ON		
APPLICATION	DO NOT SCALE DRAWING		

RAW THRILLS, INC

TITLE:  
**CRUIS'N-MAIN CABINET ASSY**

SIZE DWG. NO. REV  
**B** Cruis'n Assy Details **1**

SCALE: 1:16 WEIGHT: SHEET 3 OF 10

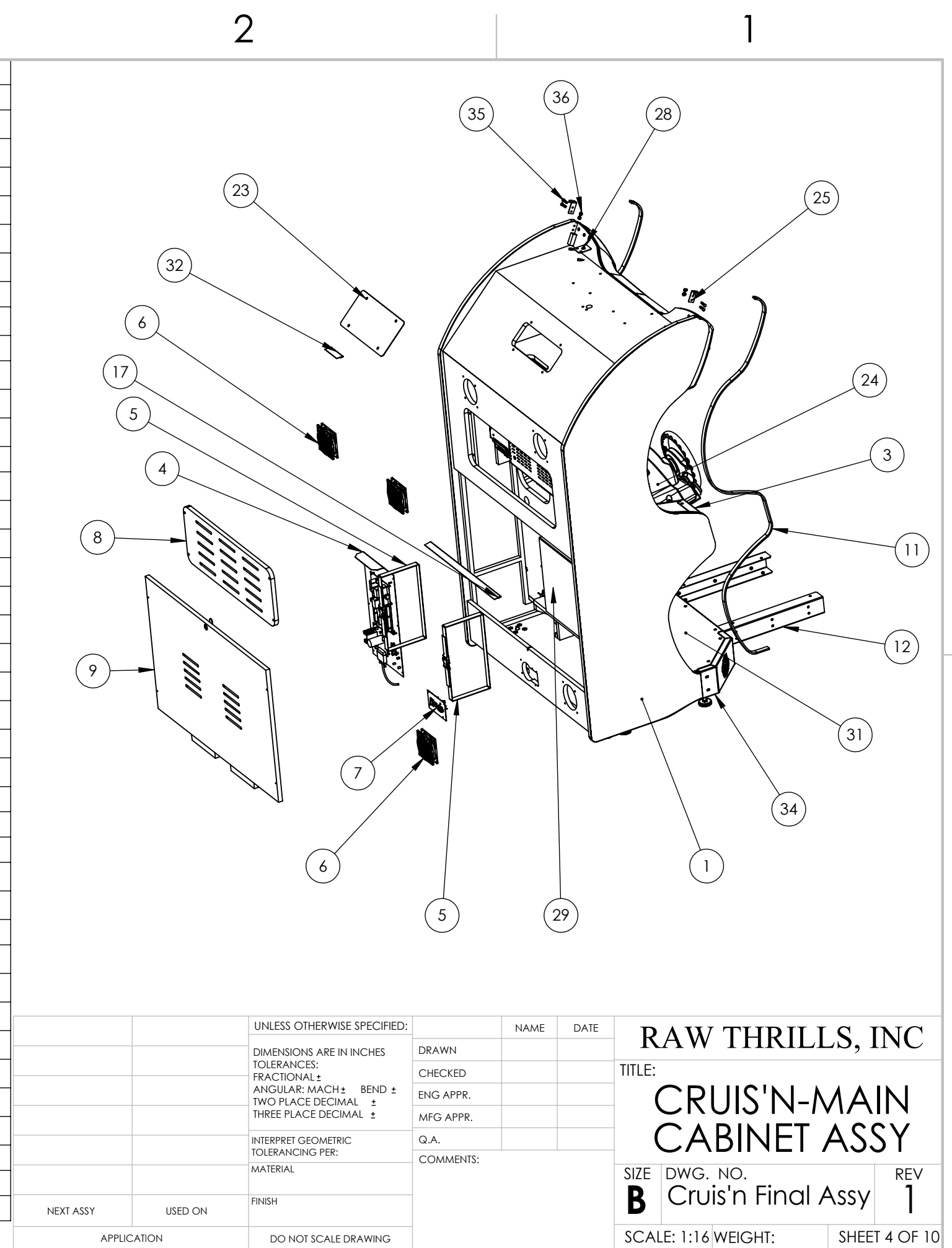
4

3

2

1

ITEM NO.	PART NUMBER	DESCRIPTION	QTY.
1	601-00743-01	CRUISN Main Cabinet	1
2	Cruisn_Monitor_Assy	42"-Cruis'n_Monitor_Assembly	1
3	Cruisn-Dash-Assy	Cruisn-Dash-Assy (See Exploded)	1
4	Cruisn_RIO_ASSY	Cruis'n RIO/Board set Assembly	1
5	PC-Strap Assy	PC-Strap Assy.SLDASM	2
6	FanAssy	DC fan and wire guard assembly	3
7	Moto-GP_A-C Plate Assy	Moto-GP_A-C Plate Assembly	1
8	601-00746-01	Cruis'n Mid Back door	1
9	Cruisn Back Door Assy	Moto-GP 42" Back Door Assy	1
10	600-01786-01	GRILL-WOOFER-JP-55	1
11	603-00762-87	LED Cabside-Tmolding (87")	2
12	600-01777-01	Cruis'n Pedestal Strut (2) req'd	2
13	Cruis'n Vault Assy	Cruis'n Vault Assy	1
14	800-00007-00	2 -1/2" CASTER	2
15	800-00003-00	Leg Leveler Plate	2
16	600-01788-01	Cruis'n Dash Mounting Bracket (2)	2
17	LED-EXTRUSION-ASSY-40cm_16in	LED-EXTRUSION-ASSY-40cm (16in) Long	1
18	Speaker Bezel-Housing-Assy	Speaker Bezel-Housing-Assy (See Exploded)	1
19	600-01784-01	Cruis'n Speaker Bezel Bracket-Lower(2) req'd	2
20	600-01783-01	Cruis'n Speaker Bezel Bracket-Middle(2) req'd	2
21	2-1-10-00-00-000	5.25 Full Range Speaker, 8 ohm	2
22	600-01782-01	Cruis'n Speaker Bezel Bracket-Upper (2) req'd	2
23	600-01787-01	Cruis'n Rear Access plate	1
24	603-00778-01	Cruis'n-Hood-InjMolded	1
25	600-01795-01	LED T-Molding Clip (Straight)	2
26	2-1-11-00-00-000	SPEAKER-WOOFER-6.5" 4 OHm	1
27	600-01800-01	Cruis'n- Lower Monitor Bracket	1
28	01-1842	Moto-GP Header Harness Plate w Grommet	1
29	604-00052-01	Gas Pedal Assy	1
30	Cruis'n CAMERA BOX ASSY	Cruis'n CAMERA BOX ASSY (See Exploded)	1
31	600-01875-01	Cruis'n-Cabinet Tread Plate	1
32	RBG Camera Light Strip Assy	RBG Camera Light Strip Assy (4")	1
33	500-00204-01	RED LED Superpuck PCB	2
34	Cruis'n-Kick Plate Assy	Cruis'n-Kick Plate Assy COMMON 2 REQD	2
35	92356A263	92356A263/#8-32_1-1/4L Carriage Bolt Blk	4
36	94831A611	94831A611 #10-32 , 1/2" Flange Nut	4
37	810-00053-01-with base mount	Test Service Button Assy	1
38	600-00891-01	Securing Nylon Strap Plate	4
39	850-00021-00	HP705.SLDPRT	1
40	Foam Pad		1
41	600-01917-01	Cruis'n-UNDERDASH CLEAR PETG	1



UNLESS OTHERWISE SPECIFIED:		NAME	DATE	RAW THRILLS, INC
DIMENSIONS ARE IN INCHES		DRAWN		
TOLERANCES:		CHECKED		TITLE:
FRACTIONAL: ±		ENG APPR.		CRUIS'N-MAIN
ANGULAR: MACH ± BEND ±		MFG APPR.		CABINET ASSY
TWO PLACE DECIMAL ±		Q.A.		SIZE DWG. NO. REV
THREE PLACE DECIMAL ±		COMMENTS:		<b>B</b> Cruis'n Final Assy 1
INTERPRET GEOMETRIC TOLERANCING PER:	MATERIAL			SCALE: 1:16 WEIGHT: SHEET 4 OF 10
FINISH				
NEXT ASSY	USED ON			
APPLICATION	DO NOT SCALE DRAWING			

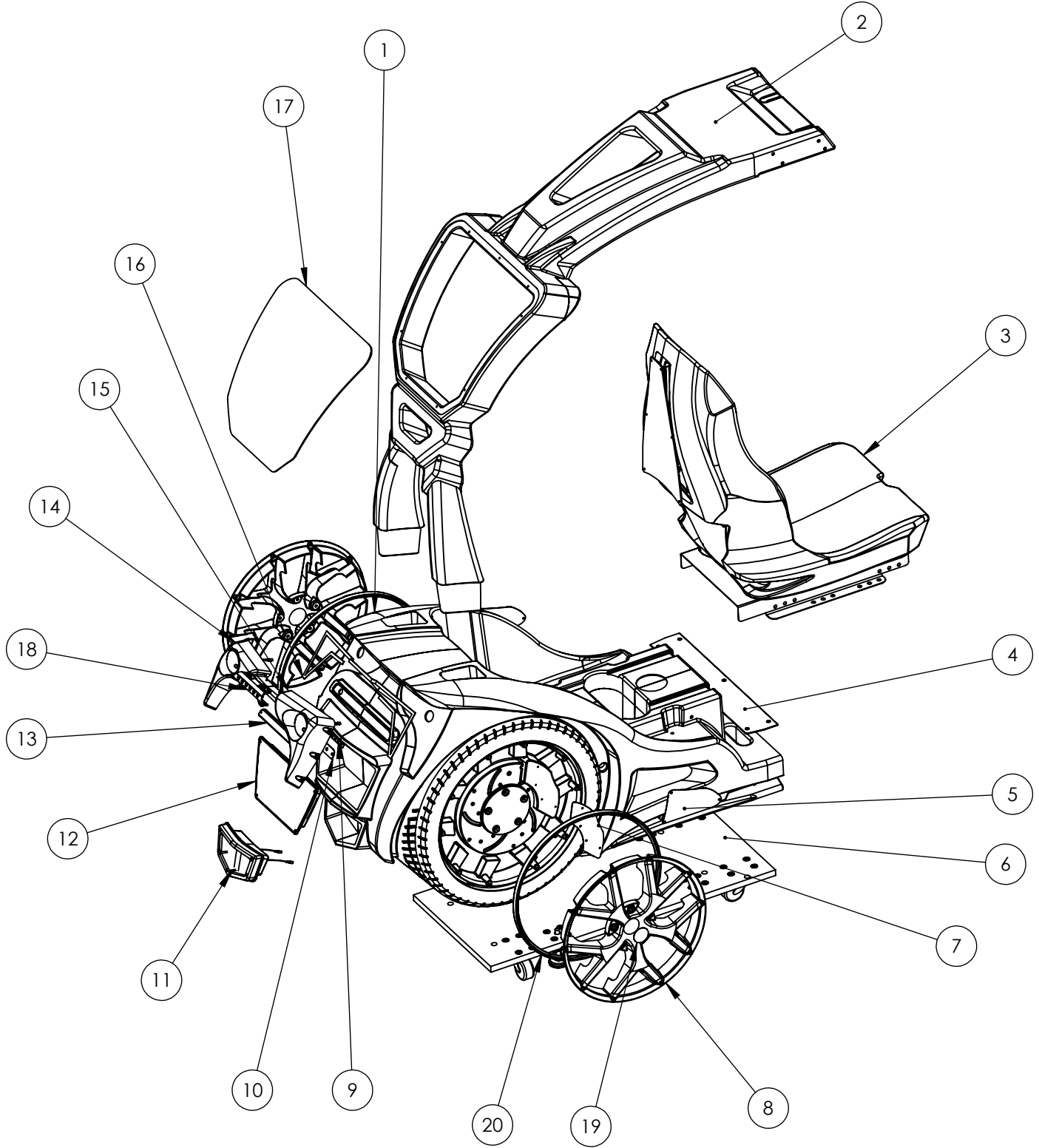
4

3

2

1

# CRUIS'N PEDESTAL ASSEMBLY



ITEM NO.	PART NUMBER	DESCRIPTION	QTY.
1	603-00774-01	CRUIS'N SEAT PEDESTAL	1
2	603-00775-01	Cruis'n-UpperPedestal Arch-RotoMolded	1
3	CruisnSeatAssy	CruisnSeatAssy (See Details)	1
4	600-01876-01	Cruis'n-Pedestal Tread Plate	1
5	600-01885-01	Cruis'n-Pedestal Side Grill (2) req'd	2
6	Cruis'n Caster Panel Assy	Cruis'n Caster Plate Assy	1
7	606-01206-01	Cruis'n-Brake Caliper (2) Req'd	1
8	603-00769-01	Cruis'n - Wheel / Chrome (2) req'd	2
9	500-00113-10	Cruis'n - Brakelight RGB LED 10" (waterproof)	1
10	600-01881-01	Cruis'n-Ped Horizontal Light Mask	1
11	Cruis'n Tail Pipe-Assy	Cruis'n Tail Pipe-Assy (see exploded)	1
12	Cruis'n License-Plate-Assy	Cruis'n License-Plate-Assy (see exploded)	1
13	600-01882-01	Cruis'n-Ped Horizontal Light Overlay	1
14	RearTailLightAssy-L	RearTailLightAssy-L	1
15	RearTailLightAssy-R	RearTailLightAssy-R	1
16	500-00162-01-122CM	122CM Tail Light White LED.SLDPRT	1
17	606-01155-01_CURVED	Cruis'n-Rear Window (screened PETG)	1
18	603-00803-01	Cruis'n - Center Tail light Cover (IM)	1
19	606-01214-01	Cruis'n - Rnd Wheel Emblem (2)	2
20	WHEEL-LED T-MOLDING-ASSY	WHEEL-ROB -LED T-MOLDING-ASSY	2

B

B

A

A

**PROPRIETARY AND CONFIDENTIAL**  
 THE INFORMATION CONTAINED IN THIS DRAWING IS THE SOLE PROPERTY OF RAW THRILLS, INC. ANY REPRODUCTION IN PART OR AS A WHOLE WITHOUT THE WRITTEN PERMISSION OF RAW THRILLS, INC IS PROHIBITED.

UNLESS OTHERWISE SPECIFIED:		NAME	DATE	<b>RAW THRILLS, INC.</b> TITLE: <b>CRUIS'N ASSEMBLY DETAILS</b> SIZE DWG. NO. REV <b>B</b> Cruis'n Assy Details <b>1</b>
DIMENSIONS ARE IN INCHES		DRAWN		
TOLERANCES:		CHECKED		
FRACTIONAL: ±		ENG APPR.		
ANGULAR: MACH ± BEND ±		MFG APPR.		
TWO PLACE DECIMAL ±		Q.A.		
THREE PLACE DECIMAL ±		COMMENTS:		
INTERPRET GEOMETRIC TOLERANCING PER:				
MATERIAL				
FINISH				
NEXT ASSY	USED ON			
APPLICATION		DO NOT SCALE DRAWING		

SCALE: 1:16 WEIGHT: SHEET 5 OF 10

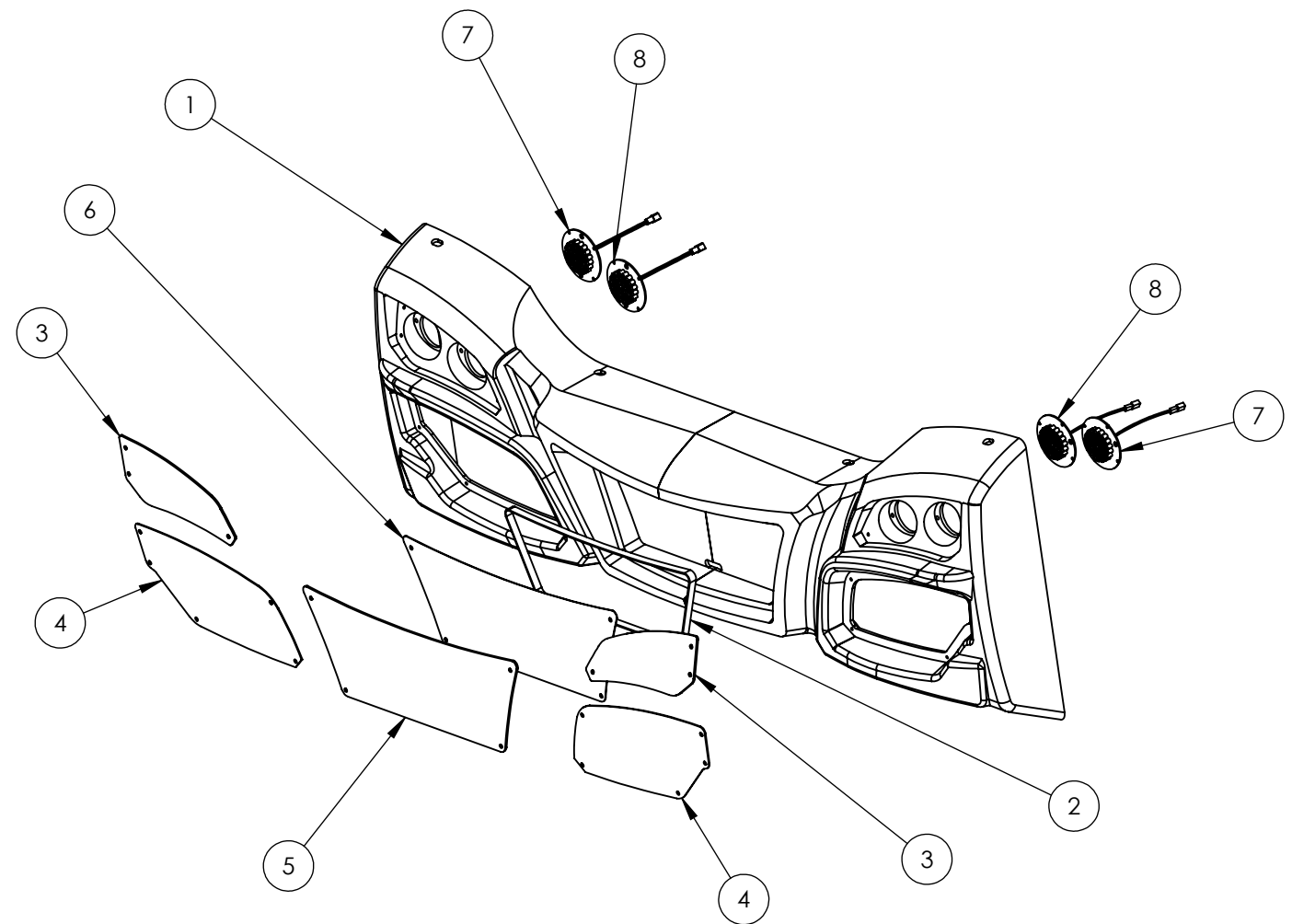
4

3

2

1

### CRUIS'N SPEAKER BEZEL ASSEMBLY

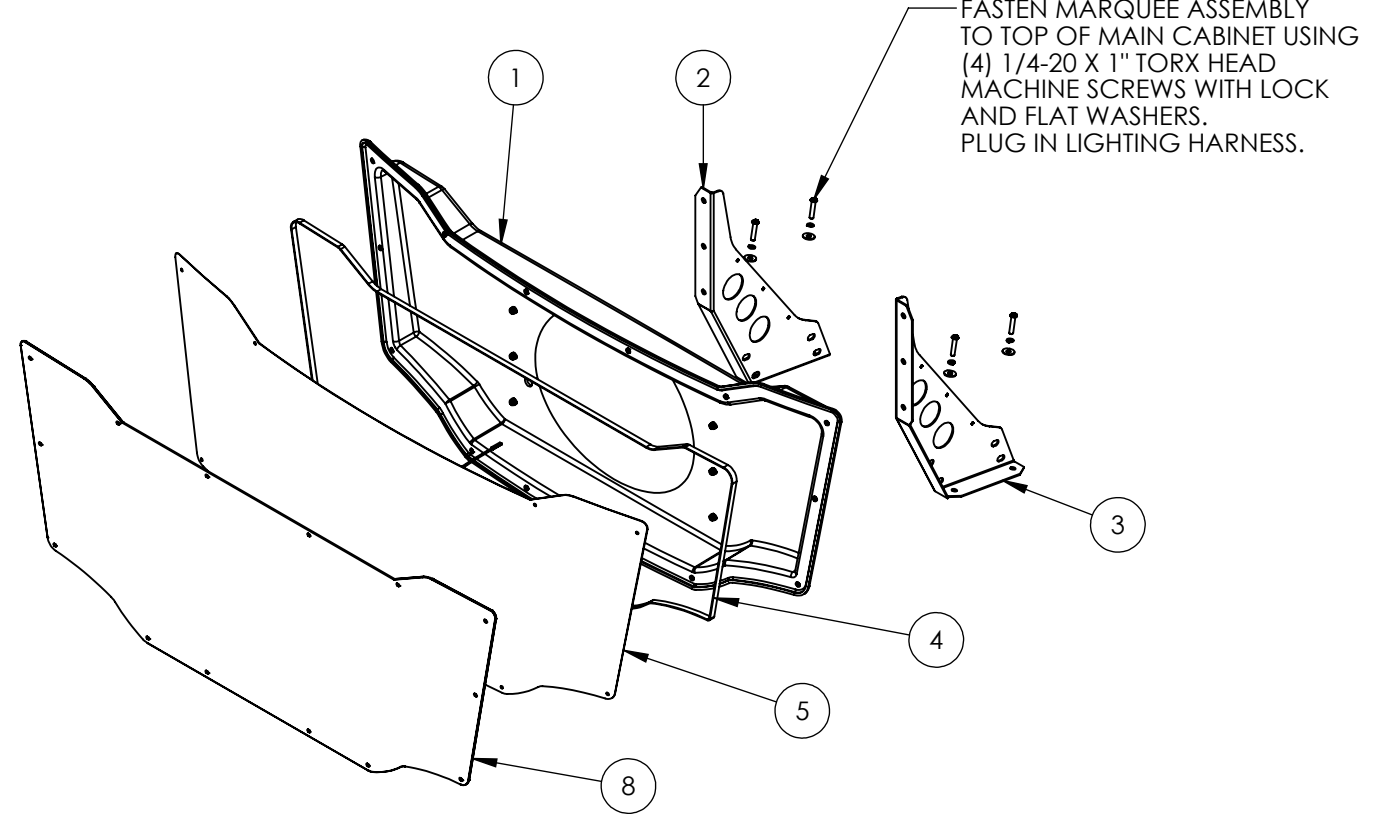


ITEM NO.	PART NUMBER	DESCRIPTION	QTY.
1	603-00777-01	Cruis'n-Speaker Bezel-Vac Formed-RED	1
2	500-00162-73	LED Strip White w/Foam Tape 73CM	1
3	600-01878-01	Cruis'n-Bezel Light Lens (2) Req'd	2
4	600-01769-01	Cruis'n Speaker Grille (2)	2
5	600-01839-01	Cruis'n-Leader Overlay Panel	1
6	606-01121-01	Cruis'n-Leader Overlay Panel	1
7	500-00222-01	YELLOW LED Superpuck PCB	2
8	500-00221-01	PURPLE LED Superpuck PCB	2

**PROPRIETARY AND CONFIDENTIAL**  
 THE INFORMATION CONTAINED IN THIS DRAWING IS THE SOLE PROPERTY OF RAW THRILLS, INC. ANY REPRODUCTION IN PART OR AS A WHOLE WITHOUT THE WRITTEN PERMISSION OF RAW THRILLS, INC IS PROHIBITED.

### CRUIS'N MARQUEE ASSEMBLY

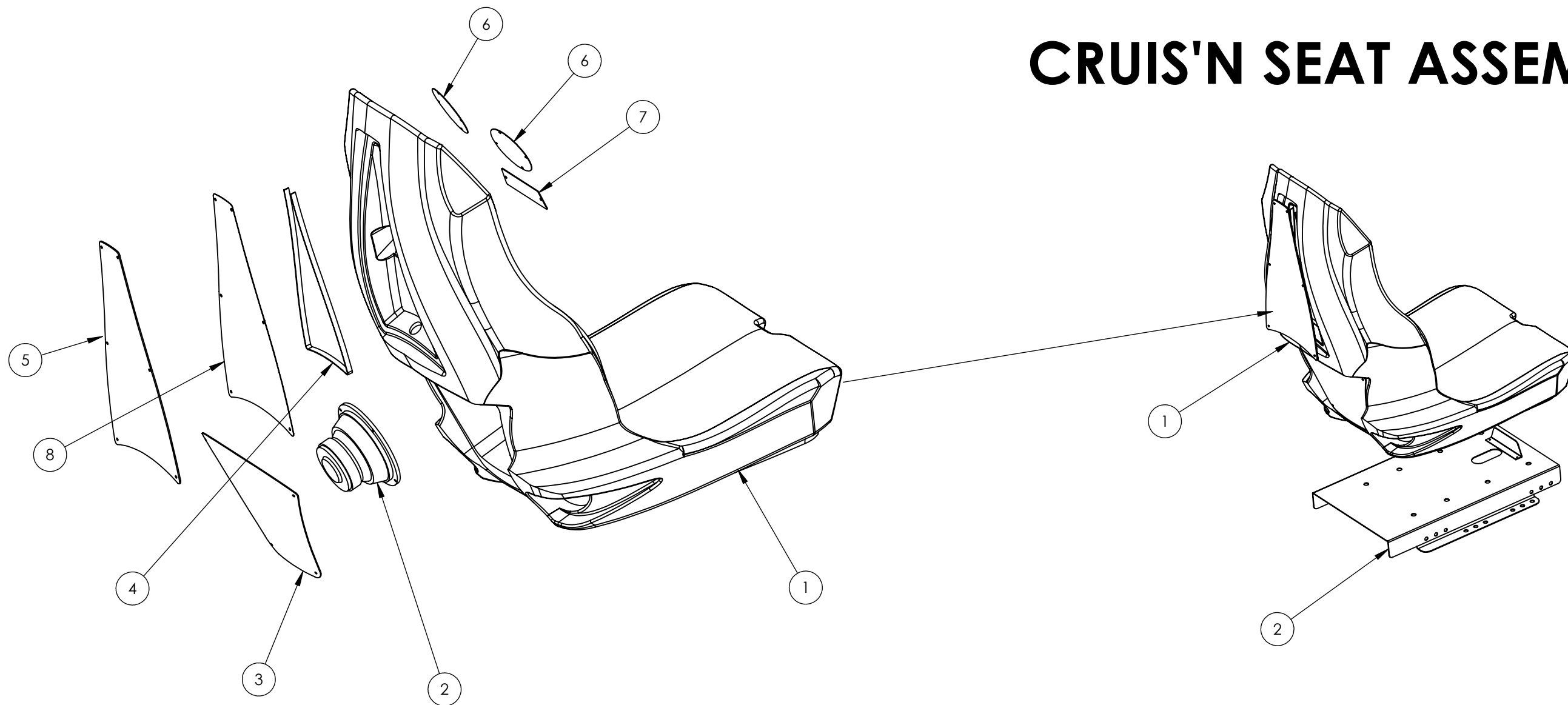
SHIPPED SEPARATE-ASSEMBLY TO CABINET REQUIRED



ITEM NO.	PART NUMBER	DESCRIPTION	QTY.
1	603-00776-01	Cruis'n Marquee Vac Form w Inserts	1
2	600-01766-01	Cruis'n Header Bracket L	1
3	600-01765-01	Cruis'n Header Bracket R	1
4	500-00162-100	Cruis'n Marquee White LED Strip (100")	1
5	606-01124-01-	Cruisn Marquee Translight	1
6	600-01838-01-	Cruis'n-Marquee-Clear overlay	1
7	TORX 1-1_4	TORX 1-1/4 INCH, LOCK AND FLAT WASHER	4
8	600-01838-01	Cruisn Marquee Translight	1

UNLESS OTHERWISE SPECIFIED:		NAME	DATE	<b>RAW THRILLS, INC</b>	
DIMENSIONS ARE IN INCHES		DRAWN			TITLE: <b>CRUIS'N-MARQUEE ASSY</b>
TOLERANCES:		CHECKED			
FRACTIONAL: ±		ENG APPR.			
ANGULAR: MACH ± BEND ±		MFG APPR.			
TWO PLACE DECIMAL ±		Q.A.		SIZE DWG. NO. REV <b>B</b> CRUIS'N ASSY DETAILS <b>1</b>	
THREE PLACE DECIMAL ±		COMMENTS:			
INTERPRET GEOMETRIC TOLERANCING PER:				SCALE: 1:16 WEIGHT:	
MATERIAL				SHEET 6 OF 10	
NEXT ASSY	USED ON				
APPLICATION		DO NOT SCALE DRAWING			

# CRUIS'N SEAT ASSEMBLY



## CRUIS'N SEAT SUB-ASSEMBLY

ITEM NO.	PART NUMBER	DESCRIPTION	QTY.
1	603-00523-01	PLASTIC-SEAT-RED	1
2	2-1-11-00-00-000	SPEAKER-WOOFER-6.5" 4 OHm	1
3	600-00106-01-	WOOFER-GRILL	1
4	500-00162-01-86CM	Rear Seat White LED	1
5	600-01840-01-	Cruisn Seatback Clear Overlay	1
6	600-00105-01-	SEAT-HEADREST-SPEAKER-GRILL	2
7	600-01886-01	Cruis'n-Seat Blockout Plate	1
8	606-01122-01	Cruis'n Seatback Translight	1
9	600-01840-01	Cruis'n Seatback Clear Overlay	1

ITEM NO.	PART NUMBER	DESCRIPTION	QTY.
1	CRUIS'N_SEAT-ASSY	CRUIS'N_SEAT-ASSY (see exploded)	1
2	600-01785-01	Cruis'n Seat Mounting Bracket-WELD	1

**PROPRIETARY AND CONFIDENTIAL**  
 THE INFORMATION CONTAINED IN THIS DRAWING IS THE SOLE PROPERTY OF RAW THRILLS, INC. ANY REPRODUCTION IN PART OR AS A WHOLE WITHOUT THE WRITTEN PERMISSION OF RAW THRILLS, INC IS PROHIBITED.

UNLESS OTHERWISE SPECIFIED:		NAME	DATE	<b>RAW THRILLS, INC</b> TITLE: <b>CRUIS'N SEAT ASSY DETAILS</b>	
DIMENSIONS ARE IN INCHES		DRAWN			
TOLERANCES: FRACTIONAL $\pm$ ANGULAR: MACH $\pm$ BEND $\pm$ TWO PLACE DECIMAL $\pm$ THREE PLACE DECIMAL $\pm$		CHECKED			
INTERPRET GEOMETRIC TOLERANCING PER:		ENG APPR.			
MATERIAL	FINISH	MFG APPR.		Q.A. COMMENTS:	
NEXT ASSY	USED ON				
APPLICATION	DO NOT SCALE DRAWING			SIZE <b>B</b> DWG. NO. <b>CRUIS'N DETAILS</b> REV <b>1</b>	
SCALE: 1:16 WEIGHT:			SHEET 7 OF 10		



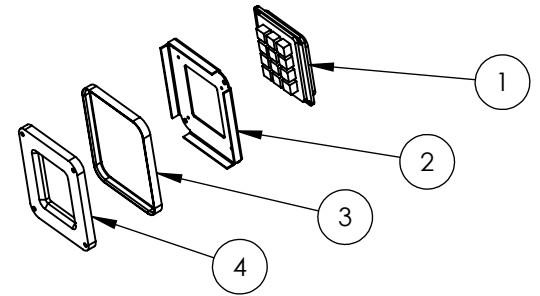
4

3

2

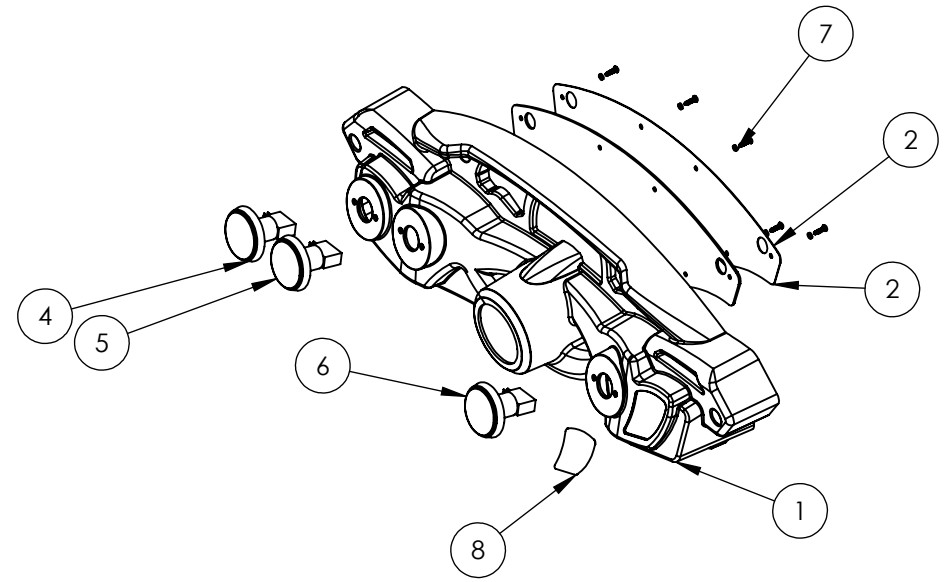
1

### CRUIS'N KEYPAD-ASSEMBLY



ITEM NO.	PART NUMBER	DESCRIPTION	QTY.
1	2-1-14-00-00-000	Telephone Keypad	1
2	600-01877-01	Cruis'n-Auxiliary Keypad Plate	1
3	500-00074-01	45 CM X1 RGB LED WEATHERPROOF Strip, Keypad (18")	1
4	600-01884-01	Cruis'n-Keypad Edgeglow	1

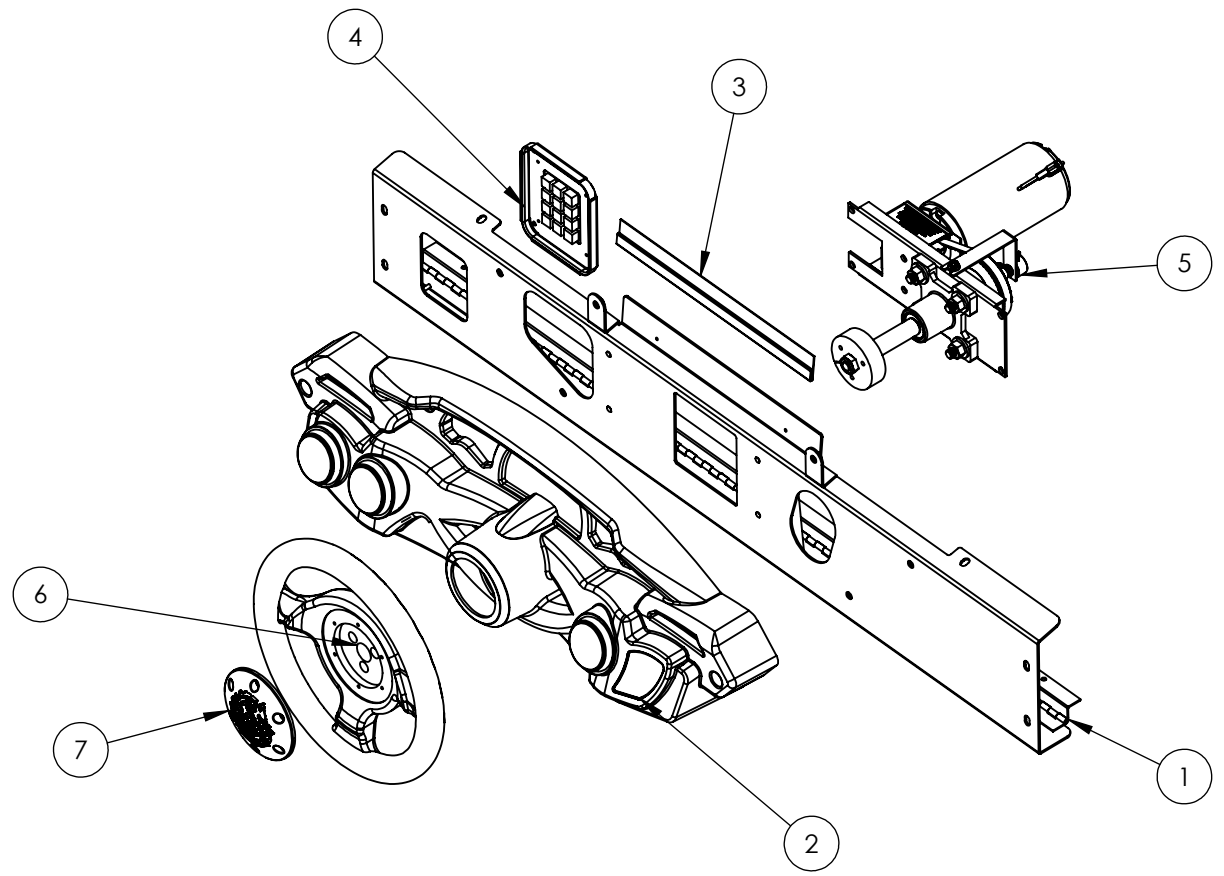
### CRUIS'N DASH SUB-ASSEMBLY



ITEM NO.	PART NUMBER	DESCRIPTION	QTY.
1	603-00770-01	Cruis'n-Dash-InjMolded	1
2	606-01120-01	Cruis'n Instrument Panel-White Styrene 30 mil	1
3	600-01843-01	Cruis'n-Dash Inst Panel-Clear overlay	1
4	702-00068-01	ROUND-TUNES BUTTON-ORG	1
5	702-00067-01	ROUND-VIEW BUTTON-BLUE	1
6	702-00066-01	ROUND-START BUTTON-GREEN	1
7	6-32 SCREW	6-32 PlasticScrew&NeopreneWasher	6
8	606-01119-01	Dash-Right Decal	1

**PROPRIETARY AND CONFIDENTIAL**  
 THE INFORMATION CONTAINED IN THIS DRAWING IS THE SOLE PROPERTY OF RAW THRILLS, INC. ANY REPRODUCTION IN PART OR AS A WHOLE WITHOUT THE WRITTEN PERMISSION OF RAW THRILLS, INC IS PROHIBITED.

### CRUIS'N DASH ASSEMBLY



ITEM NO.	PART NUMBER	DESCRIPTION	QTY.
1	600-01699-01-ASSY	Cruis'n Control Panel Assembly	1
2	Dash-Shell-Assembly	Dash-Shell-Assembly(see exploded)	1
3	LED-EXTRUSION-ASSY-12in	LED-EXTRUSION-ASSY-12in	1
4	Cruis'n Keypad Assy	Cruis'n Keypad Assy (see exploded)	1
5	604-00002-00	HAPP-FFB-STEERING-ASSY	1
6	2-1-03-00-00-001	Happ Steering Wheel	1
7	603-00789-01	Cruis'n Steering Wheel Cap	1

UNLESS OTHERWISE SPECIFIED:		NAME	DATE	<b>RAW THRILLS, INC</b>	
DIMENSIONS ARE IN INCHES		DRAWN			TITLE: <b>CRUIS'N DASH ASSEMBLY</b>
TOLERANCES:		CHECKED			
FRACTIONAL ±		ENG APPR.			
ANGULAR: MACH ± BEND ±		MFG APPR.			
TWO PLACE DECIMAL ±		Q.A.		SIZE DWG. NO. REV	
THREE PLACE DECIMAL ±		COMMENTS:		<b>B</b> <b>CRUIS'N ASSY</b> <b>1</b>	
INTERPRET GEOMETRIC TOLERANCING PER:	MATERIAL			SCALE: 1:16 WEIGHT: SHEET 8 OF 10	
FINISH					
NEXT ASSY	USED ON				
APPLICATION	DO NOT SCALE DRAWING				

4

3

2

1

B

B

A

A

4

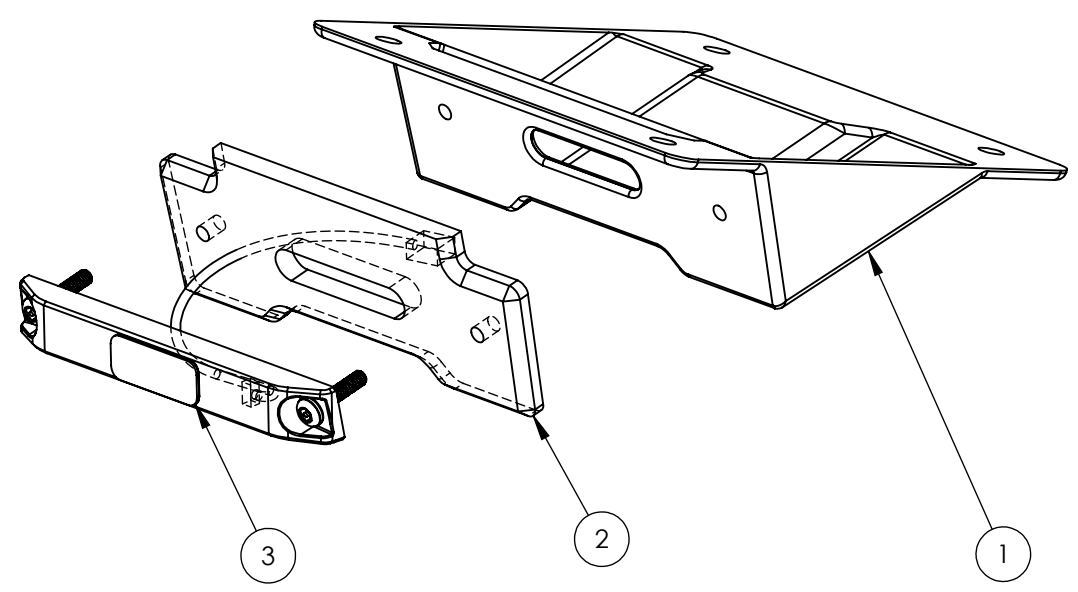
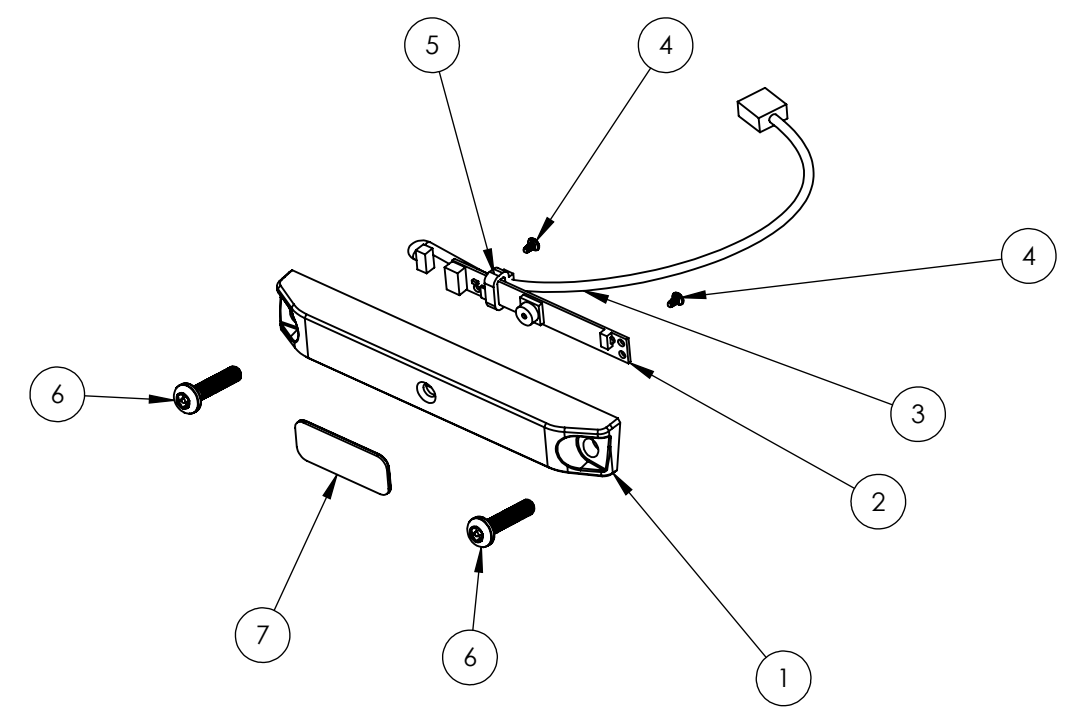
3

2

1

# CRUIS'N CAMERA SUB-ASSEMBLY

# CRUIS'N CAMERA BOX ASSEMBLY



B

B

A

A

ITEM NO.	PART NUMBER	DESCRIPTION	QTY.
1	603-00764-01	Camera-Housing/Moto-GP.SLDprt	1
2	500-00185-01	Moto-GP Webcam	1
3	810-00162-01	USB camera cable	1
4	99461A605	MMC 99461A605 Pan Head Phillips 18-8 Stainless Steel 1-32-#0 Drive	2
5	Camera-Tie Wrap	Camera-Tie Wrap	1
6	93701A408	8-32x3/4 TORXTAMPER-BLK	2
7	600-01790-01	Camera Dust Cover	1

ITEM NO.	PART NUMBER	DESCRIPTION	QTY.
1	603-00802-01	Cruis'n - Camera Box	1
2	600-01874-01	Cruis'n-Camera Acrylic Block	1
3	Camera-Housing-Assy	Moto-GP Camera Assembly(see exploded)	1

**PROPRIETARY AND CONFIDENTIAL**  
 THE INFORMATION CONTAINED IN THIS DRAWING IS THE SOLE PROPERTY OF RAW THRILLS, INC. ANY REPRODUCTION IN PART OR AS A WHOLE WITHOUT THE WRITTEN PERMISSION OF RAW THRILLS, INC IS PROHIBITED.

UNLESS OTHERWISE SPECIFIED:		NAME	DATE	<b>RAW THRILLS, INC</b>	
DIMENSIONS ARE IN INCHES		DRAWN			TITLE: <b>Cruis'n CAMERA BOX ASSY (See Exploded)</b>
TOLERANCES:		CHECKED			
FRACTIONAL ±		ENG APPR.			
ANGULAR: MACH ± BEND ±		MFG APPR.			
TWO PLACE DECIMAL ±		Q.A.		SIZE DWG. NO. REV <b>B Cruis'n Details 1</b>	
THREE PLACE DECIMAL ±		COMMENTS:			
INTERPRET GEOMETRIC TOLERANCING PER:				SCALE: 1:16 WEIGHT: SHEET 9 OF 10	
MATERIAL					
NEXT ASSY	USED ON				
APPLICATION		DO NOT SCALE DRAWING			

4

3

2

1



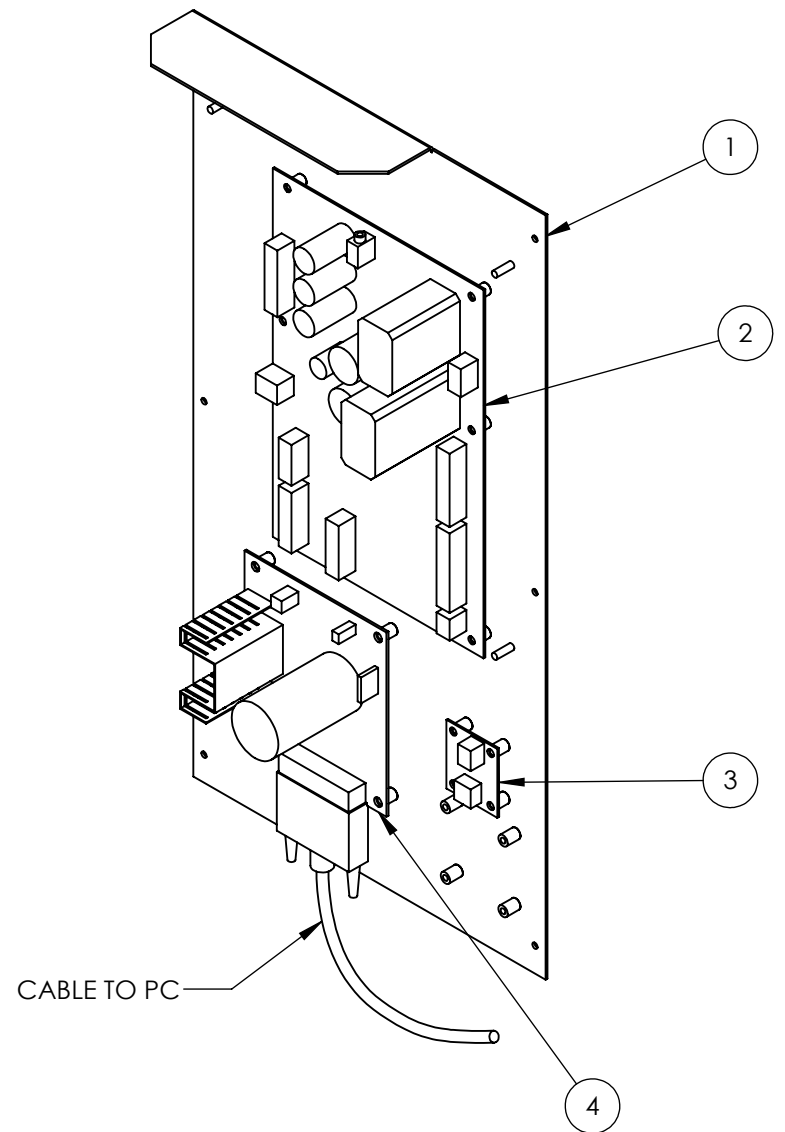
4

3

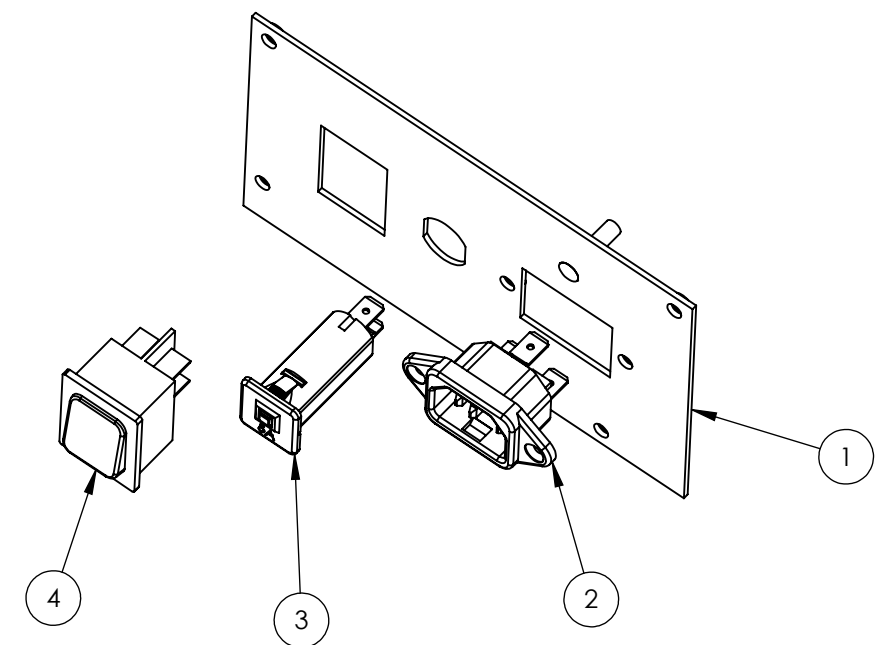
2

1

# CRUIS'N RIO-ASSEMBLY



# CRUIS'N A/C PLATE-ASSEMBLY



ITEM NO.	PART NUMBER	DESCRIPTION	QTY.
1	01-2291	PLATE, AC - LINE FILTER,CIRCUIT BREAKER, ON/OFF SW	1
2	Power Inlet Receptacle	IEC Appliance Inlet, Screw-on Mounting, Front Side, Quick-connect, 10A	1
3	T9-611-5A	CBE Circuit Breakers: 5AMP Circuit Breaker for Equipment thermal, Snap-in type, Fuseholder style, 1 pole	1
4	ON_OFF AC-SWITCH	Rated 16 amps @ 125 volts AC and 5 amps @ 30 volts DC. Maximum voltage is 250 AC and 72 DC. UL recognized and CSA certified.	1

ITEM NO.	PART NUMBER	DESCRIPTION	QTY.
1	600-01781-01	Cruis'n RIO-Mounting Plate	1
2	500-00040-01	RIO-board	1
3	500-00194-01	5V, 5A Switching Regulator PCB (12V input)	1
4	500-00037-01	Wheel-Driver Board	1

**PROPRIETARY AND CONFIDENTIAL**  
 THE INFORMATION CONTAINED IN THIS DRAWING IS THE SOLE PROPERTY OF <INSERT COMPANY NAME HERE>. ANY REPRODUCTION IN PART OR AS A WHOLE WITHOUT THE WRITTEN PERMISSION OF <INSERT COMPANY NAME HERE> IS PROHIBITED.

UNLESS OTHERWISE SPECIFIED:		NAME	DATE	<b>RAW THRILLS, INC</b> TITLE: <b>CRUIS'N ASSEMBLY DETAILS</b> SIZE <b>B</b> DWG. NO. Cruisn-Final-Assembly-Dwgs REV <b>1</b> SCALE: 1:16 WEIGHT: SHEET 10 OF 10
DIMENSIONS ARE IN INCHES TOLERANCES: FRACTIONAL ± ANGULAR: MACH ± BEND ± TWO PLACE DECIMAL ± THREE PLACE DECIMAL ±		DRAWN		
INTERPRET GEOMETRIC TOLERANCING PER:		CHECKED		
MATERIAL		ENG APPR.		
FINISH		MFG APPR.		
NEXT ASSY	USED ON	Q.A.		
APPLICATION		COMMENTS:		
DO NOT SCALE DRAWING				

4

3

2

1

B

B

A

A





FOR THE LATEST VERSION OF THIS DOCUMENT VISIT: [WWW.RAWTHRILLS.COM](http://WWW.RAWTHRILLS.COM)

SERVICE CONTACT INFORMATION:

Contact Betson Enterprise Headquarters or your local Betson office for sales, technical information, warranty or repair.

Betson can be reached at (800) 524-2343 Fax (201) 438-4837 [www.betson.com](http://www.betson.com)

**Betson Enterprises Headquarters**

303 Paterson Plank Rd.

Carlstadt, NJ 07072

(800) 524-2343 or (201) 438-1300

fax (201) 438-4837

